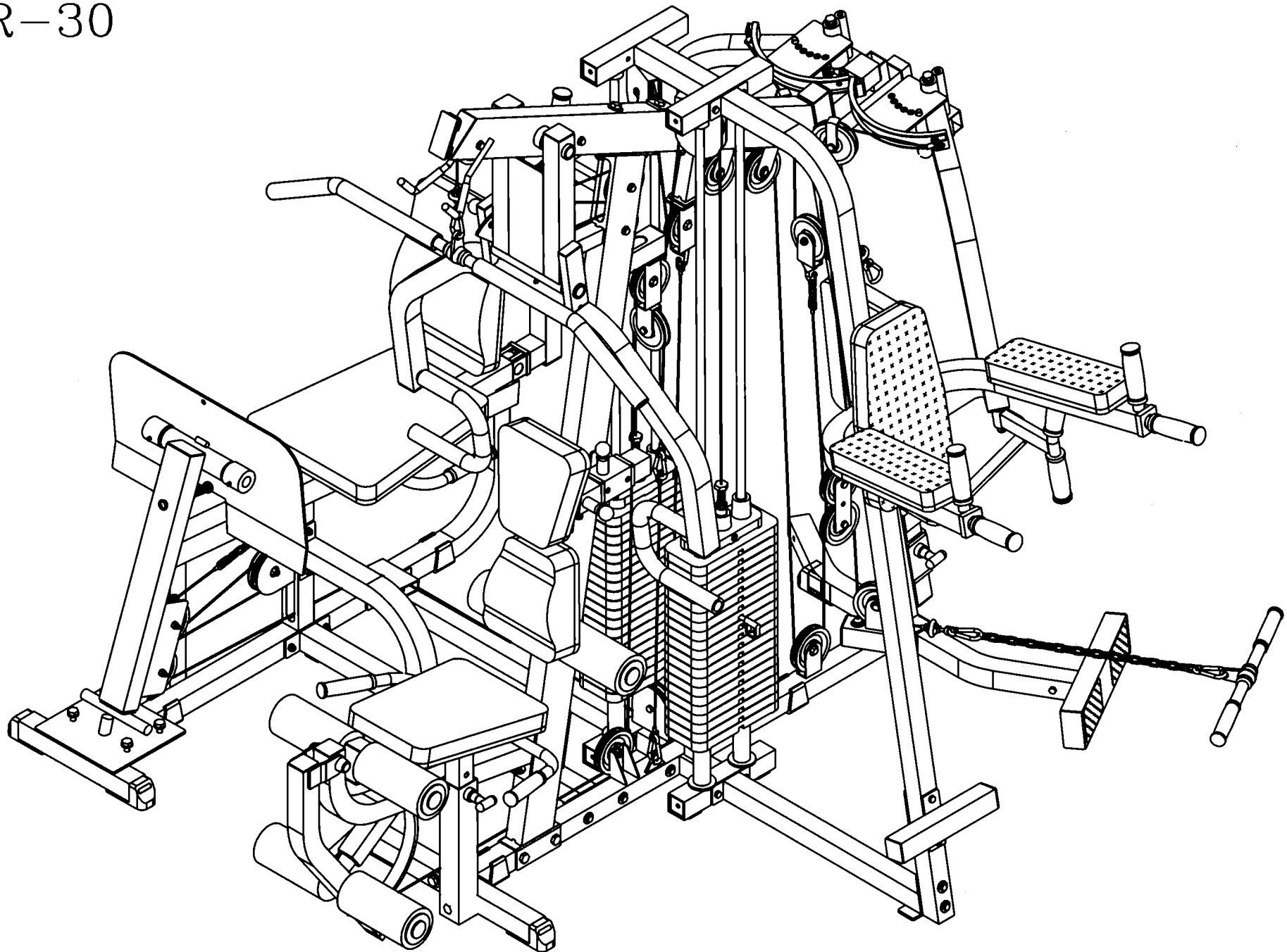


VKR-30



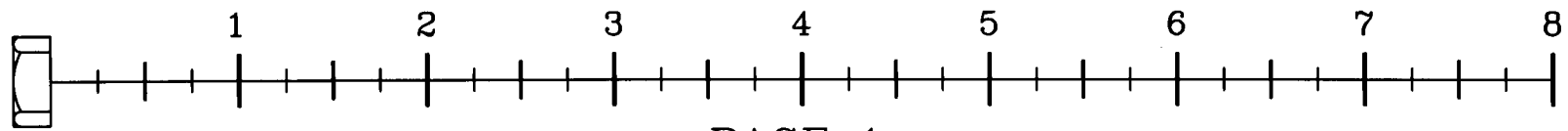
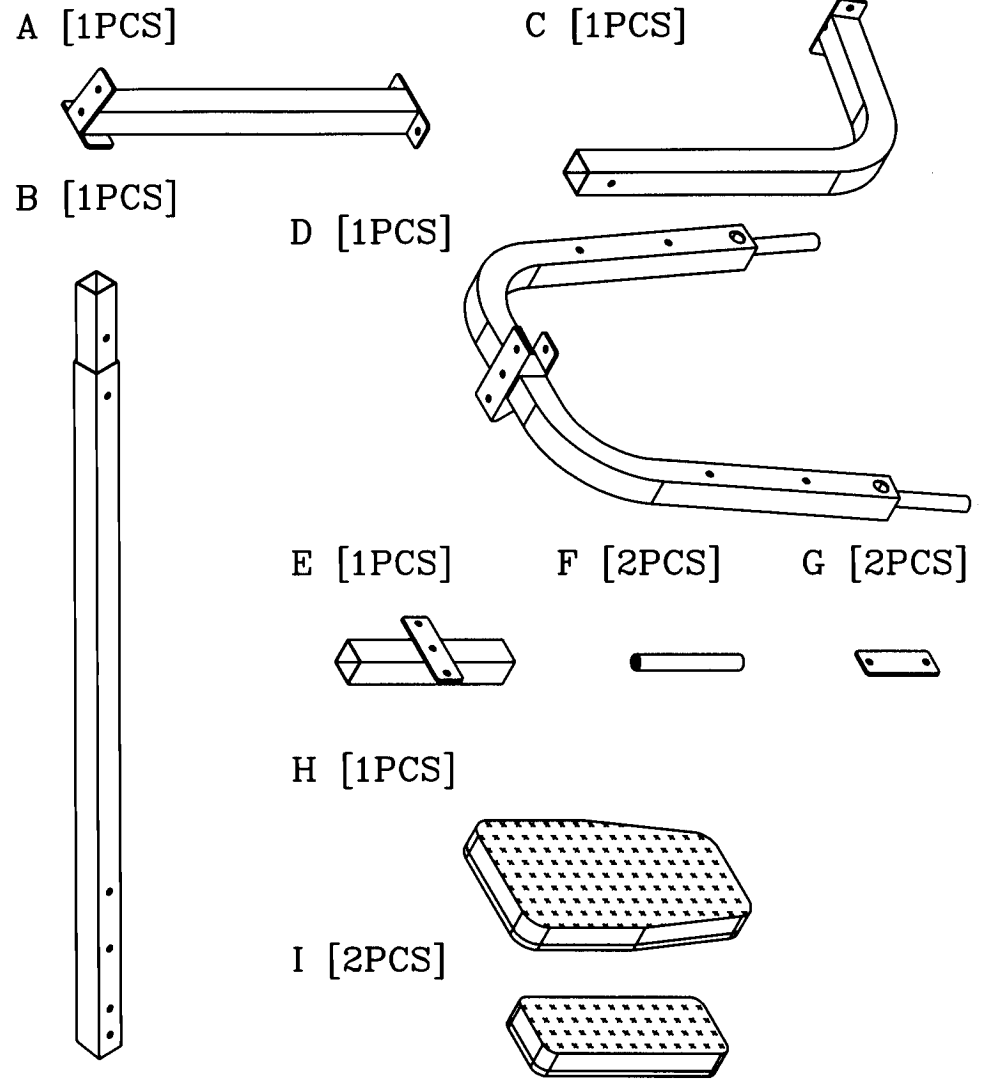
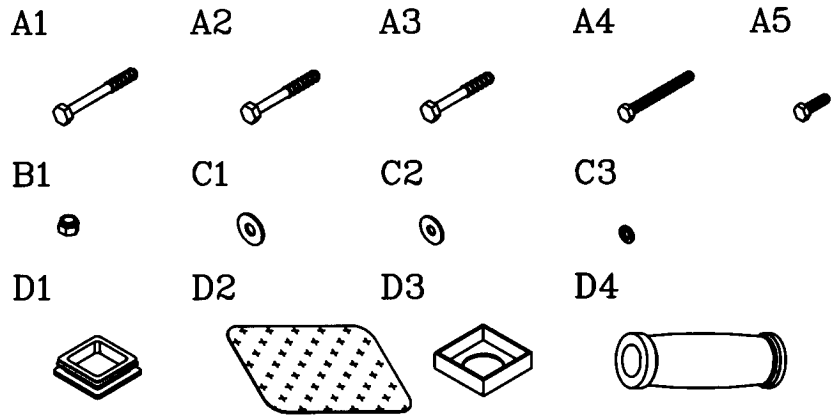
VERSION 0009

VKR-30

HARDWARE ILLUSTRATION SHEET

PARTS ILLUSTRATION SHEET

	Qty.
A1. 3/8"X3" HEX HEAD BOLT -----	[2PCS]
A2. 3/8"X2 3/4" HEX HEAD BOLT -----	[6PCS]
A3. 3/8"X2 1/2" HEX HEAD BOLT -----	[2PCS]
A4. 5/16"X2 3/4" HEX HEAD BOLT -----	[4PCS]
A5. 5/16"X1" HEX HEAD BOLT -----	[2PCS]
B1. 3/8" NYLON LOCK NUT -----	[8PCS]
C1. 3/8" (I.D)WASHER -----	[6PCS]
C2. 5/16" (I.D)WASHER -----	[6PCS]
C3. 5/16" SPRING WASHER -----	[6PCS]
D1. 2"X2"X1.8t END CAP (9211-005) -----	[2PCS]
D2. 95X140mm NO-SLIP TAPE (9310-035) -----	[2PCS]
D3. 2"X2" END CAP (9211-040) -----	[2PCS]
D4. ø1"X135 RUBBER GRIP (9212-017) -----	[4PCS]



VKR-30

