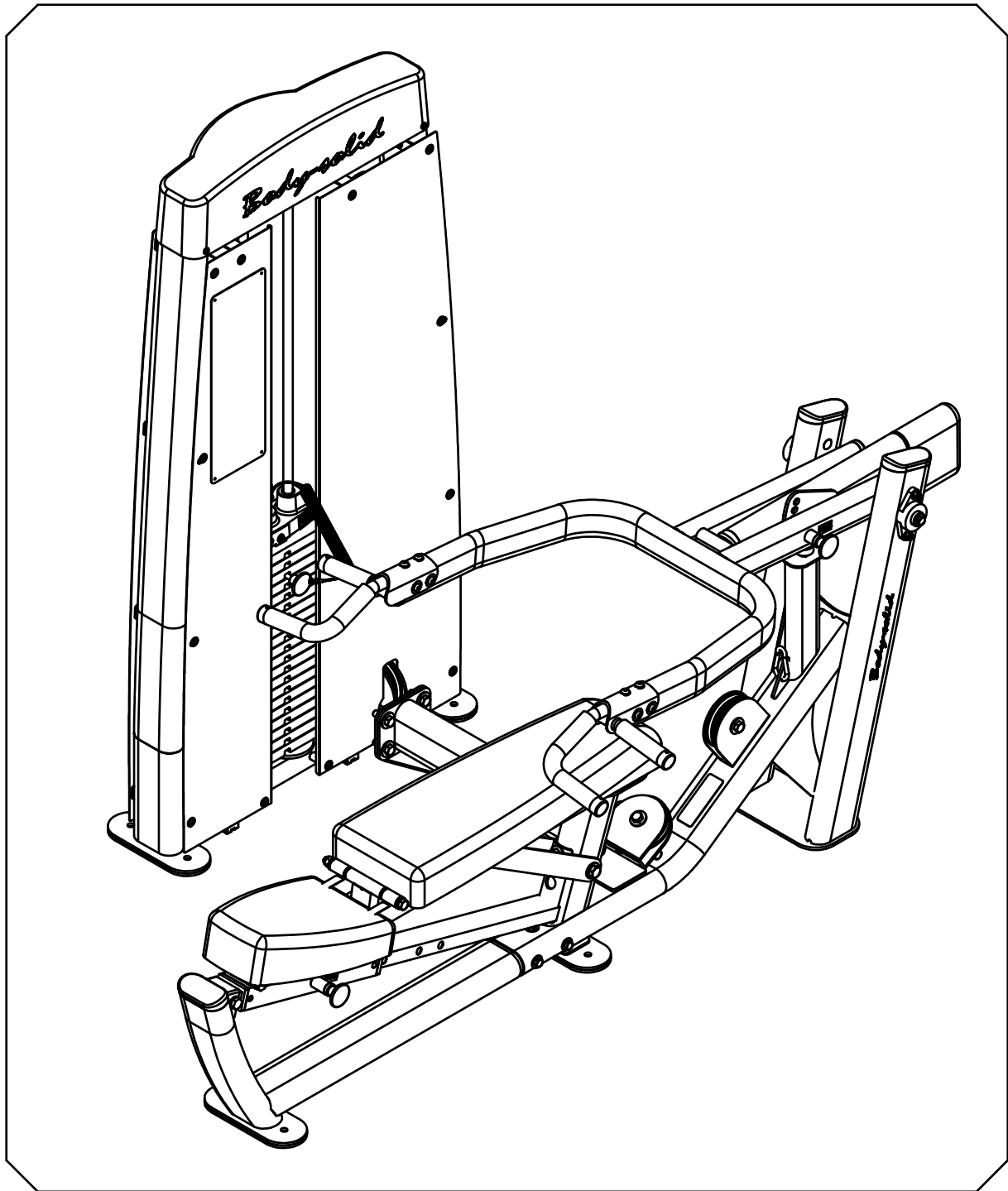


Body-Solid

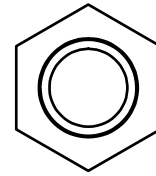
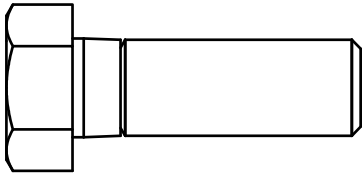


BODY-SOLID, Inc.
1900 S. Des Plaines Ave.
Forest Park, IL 60130 USA
Phone: (708) 427-3555
Fax: (708) 427-3556
www.bodysolid.com

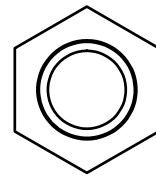
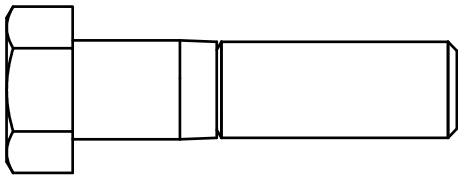
DPRS.2 OWNER'S MANUAL

DPRS ASSEMBLY INSTRUCTIONS

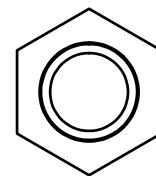
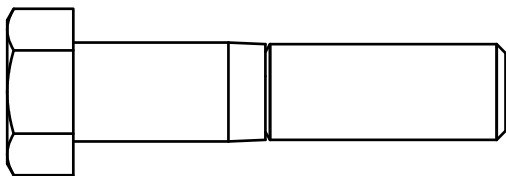
HARDWARE ILLUSTRATION



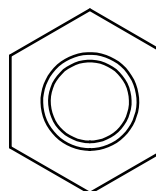
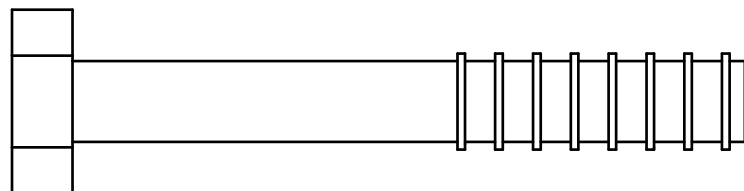
(A1)HEX BOLT 1/2"x1 1/2"L PARTIAL THREAD QTY.7



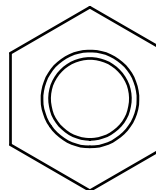
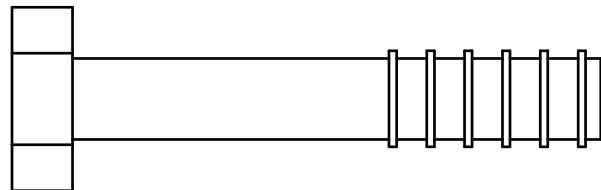
(A2)HEX BOLT 1/2"x2"L PARTIAL THREAD QTY.1



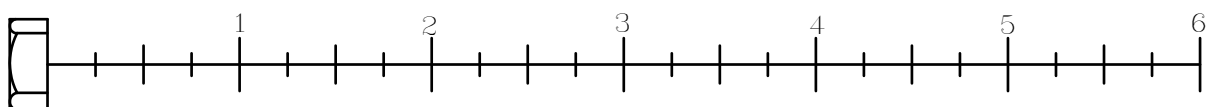
(A3)HEX BOLT 1/2"x2 1/4"L PARTIAL THREAD QTY.1



(A4)HEX BOLT 1/2"x3 1/2"L PARTIAL THREAD QTY.1

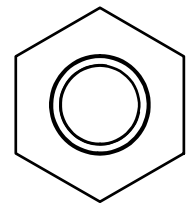
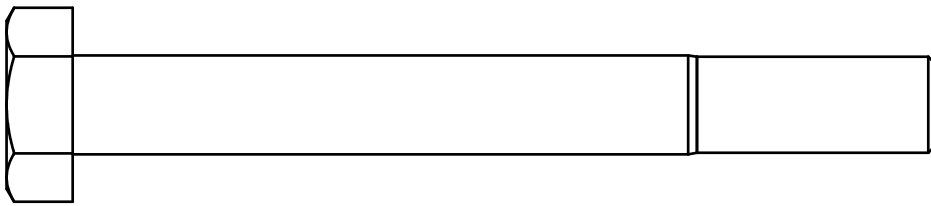


(A5)HEX BOLT 1/2"x2 3/4"L PARTIAL THREAD QTY.1

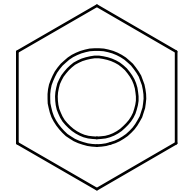
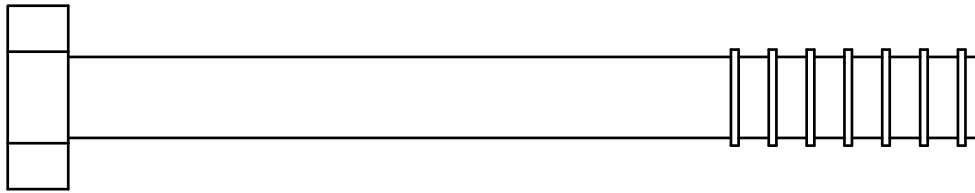


DPRS ASSEMBLY INSTRUCTIONS

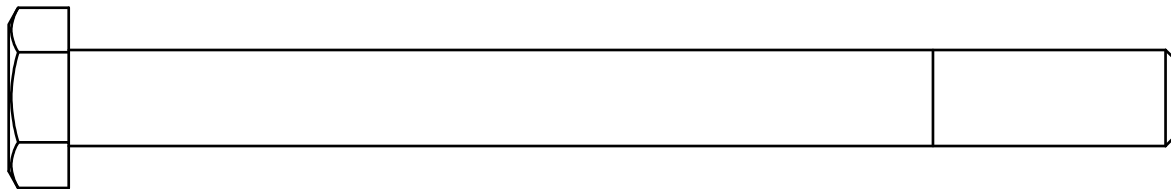
HARDWARE ILLUSTRATION



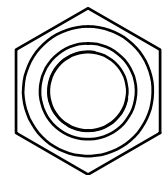
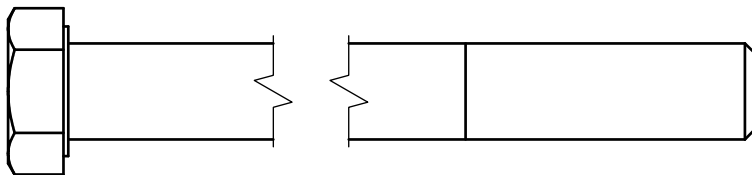
(A6)HEX BOLT 1/2"x4 1/2"L PARTIAL THREAD QTY.1



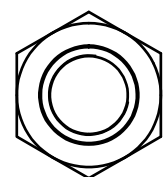
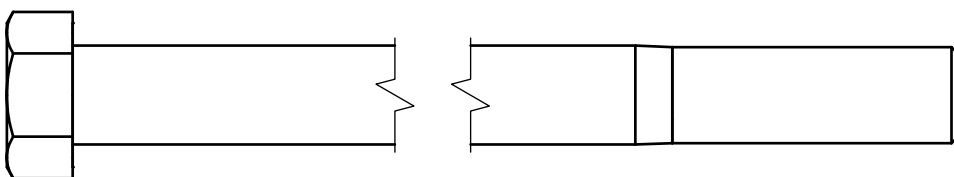
(A7)HEX BOLT 1/2"x4 3/4"L PARTIAL THREAD QTY.1



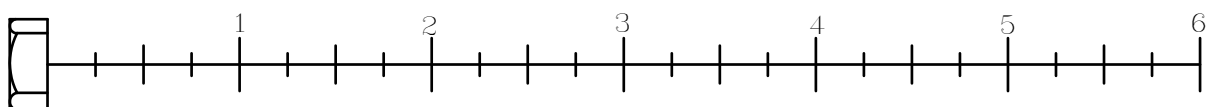
(A8)HEX BOLT 1/2"x5 3/4"L PARTIAL THREAD QTY.1



(A9)HEX BOLT 1/2"x7"L PARTIAL THREAD QTY.1

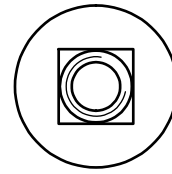
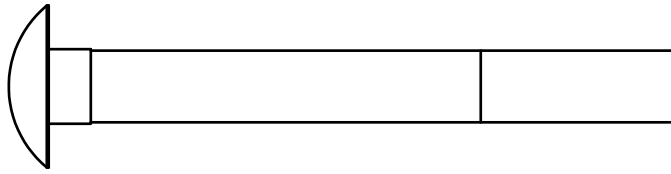


(A10)HEX BOLT 1/2"x8 1/2"L PARTIAL THREAD QTY.1

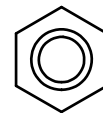
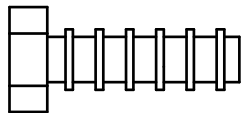


DPRS ASSEMBLY INSTRUCTIONS

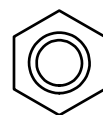
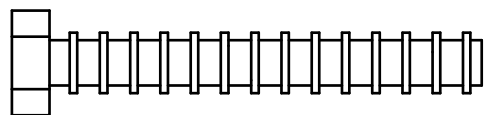
HARDWARE ILLUSTRATION



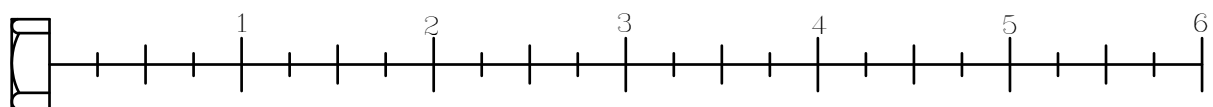
(A12)ROUND ALLEN HEAD 3/8"x3 1/8"L PARTIAL THREAD QTY.4



(A13)HEX BOLT 5/16"x1"L PARTIAL THREAD QTY.3

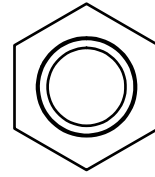
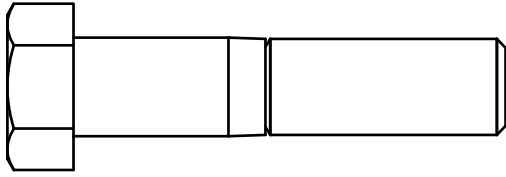


(A14)HEX BOLT 5/16"x2 1/4"L PARTIAL THREAD QTY.4

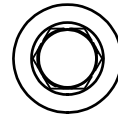
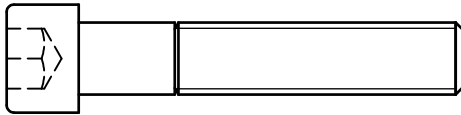


DPRS ASSEMBLY INSTRUCTIONS

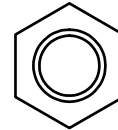
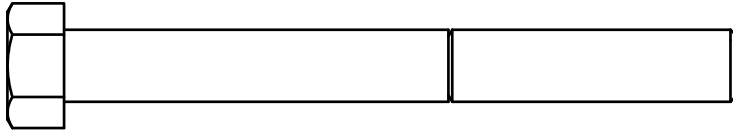
FRAME HARDWARE ILLUSTRATION



(A16)HEX BOLT 1/2"x2 1/4"L PARTIAL THREAD QTY.4



(A18)ROUND ALLEN HEAD 3/8"X2"L PARTIAL THREAD QTY.1

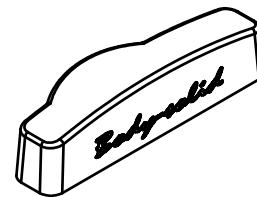


(A19)HEX BOLT 3/8"x3 1/2"L PARTIAL THREAD QTY.1

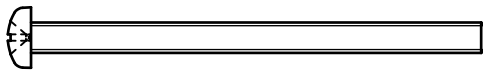


(A20)ELASTIC BOLT QTY.1

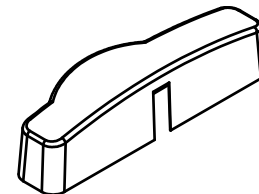
Optional Purchase



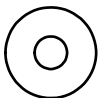
TOP CAP(9211-111)



(A17)HEX BOLT M4X65L"L PARTIAL THREAD QTY.2

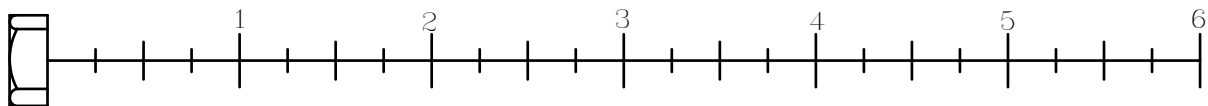


TOP CAP(9211-119)



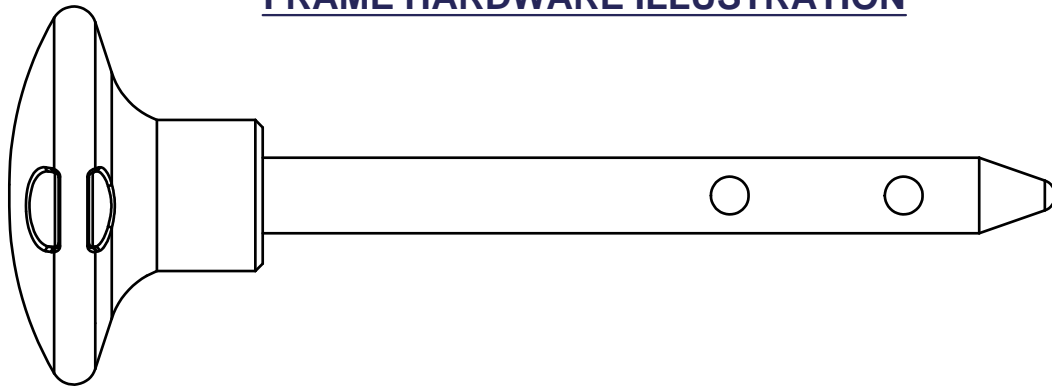
(C12)M4(I.D.)FLAT WASHER Ø12 QTY.2

"M4X65 ROUND BOLT" and "M4 WASHER" is used to assemble with 9211-111 and 9211-119 TOP CAP



DPRS ASSEMBLY INSTRUCTIONS

FRAME HARDWARE ILLUSTRATION



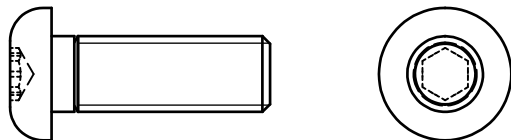
(A21)10LB PIN (8250-071) QTY.1



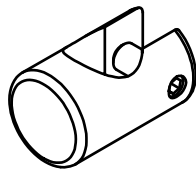
(A23)ROUND ALLEN HEAD M6X20L PARTIAL THREAD QTY.20



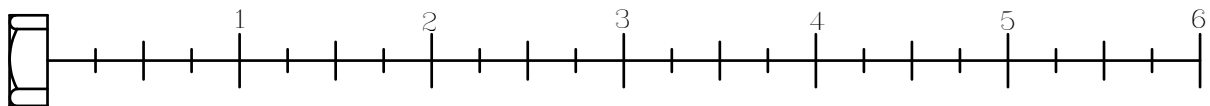
(A24)ROUND ALLEN HEAD 5/32"X1/4"L PARTIAL THREAD QTY.4



(A25)ROUND INNER HEX SCREW M10X30L PARTIAL QTY.1

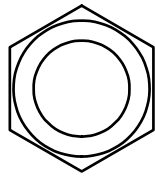
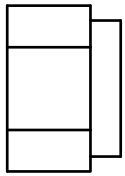


(A26)FIRM SHEATH(8890-046) QTY.1

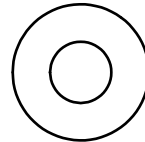
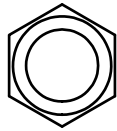
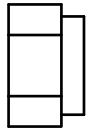


DPRS ASSEMBLY INSTRUCTIONS

HARDWARE ILLUSTRATION

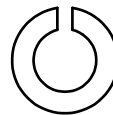
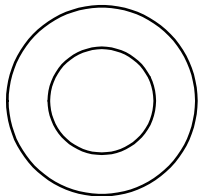


(B1) NYLON LOCK NUT 1/2" QTY.14



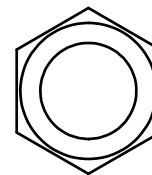
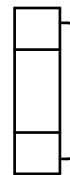
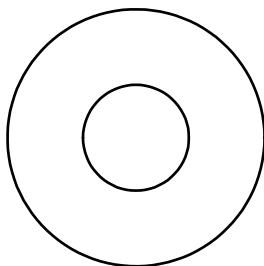
(B2) NYLON LOCK NUT 3/8" QTY.4

(C5) 5/16" (I.D.) FLAT WASHER \varnothing 18 QTY.7



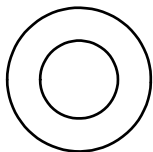
(C1) 1/2" (I.D.) FLAT WASHER \varnothing 25 QTY.14

(C6) 5/16" SPRING WASHER QTY.7

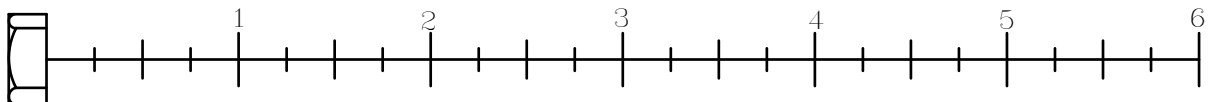


(B6) NYLON LOCK NUT 1/2" X 8H QTY.1

(C2) 1/2" (I.D.) FLAT WASHER \varnothing 34 QTY.15

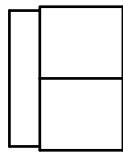
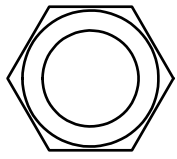


(C3) 3/8" (I.D.) FLAT WASHER \varnothing 19 QTY.4

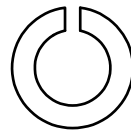


DPRS ASSEMBLY INSTRUCTIONS

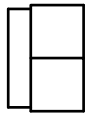
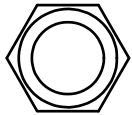
FRAME HARDWARE ILLUSTRATION



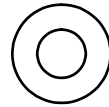
(B4)NYLON LOCK NUT 1/2" QTY.4



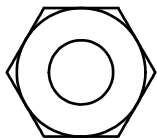
(C10)3/8" SPRING WASHER QTY.1



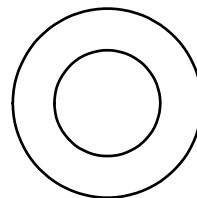
(B5)NYLON LOCK NUT 3/8" QTY.1



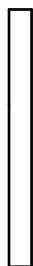
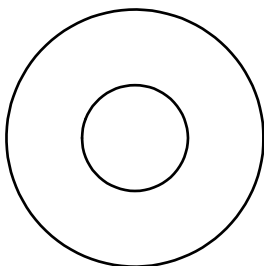
(C11)M6(I.D.)FLAT WASHER Ø13 QTY.20



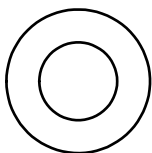
(B6)NYLON LOCK NUT M10 QTY.1



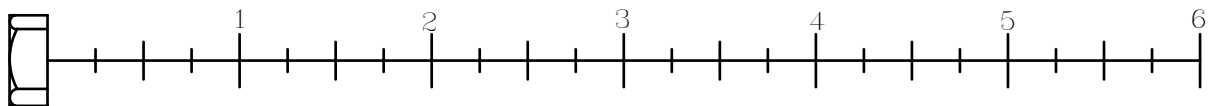
(C13)1/2"(I.D.)FLAT WASHER Ø25 QTY.2



(C8)1/2"(I.D.)FLAT WASHER Ø34 QTY.6



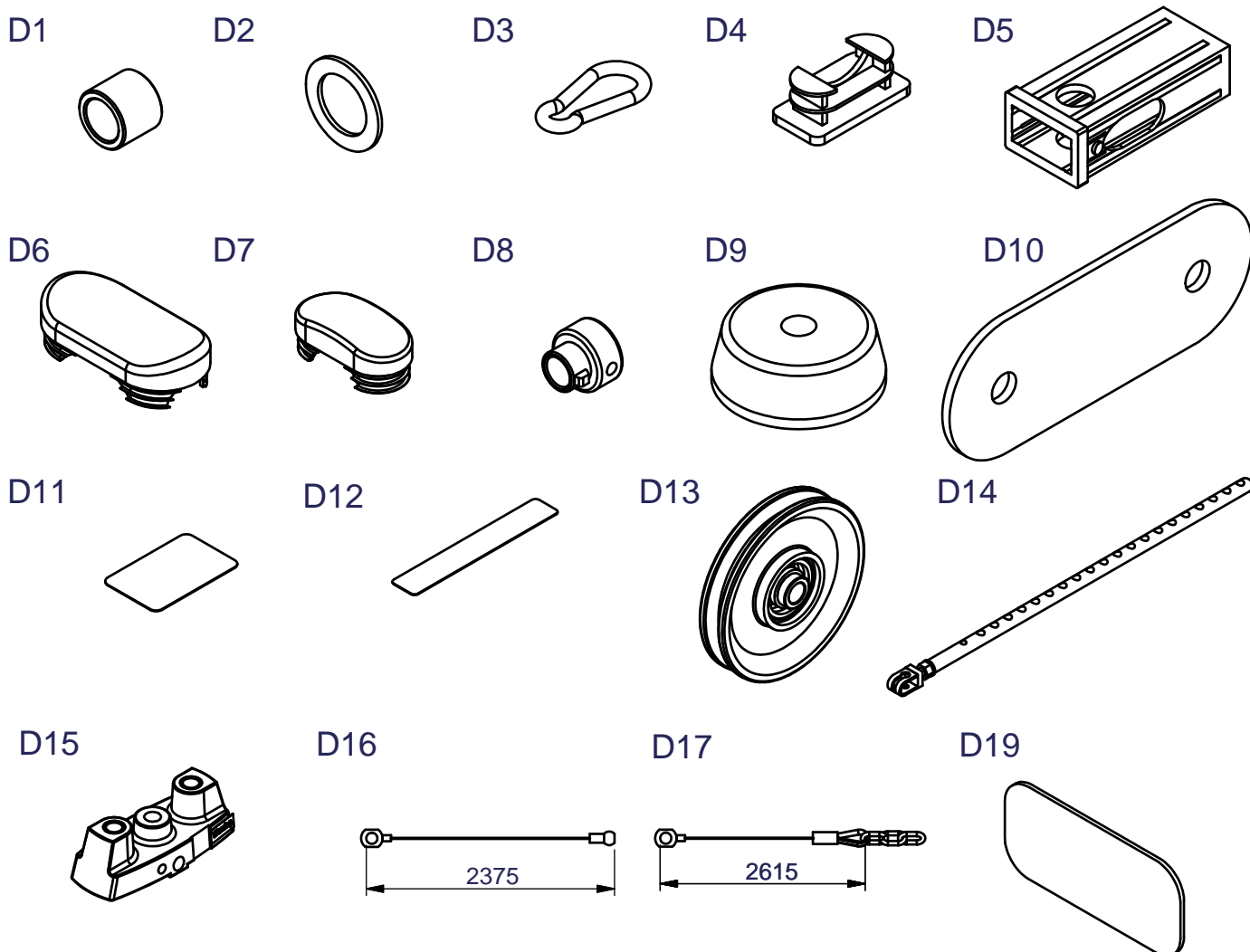
(C9)3/8"(I.D.)FLAT WASHER Ø19 QTY.2



DPRS ASSEMBLY INSTRUCTIONS

HARDWARE ILLUSTRATION

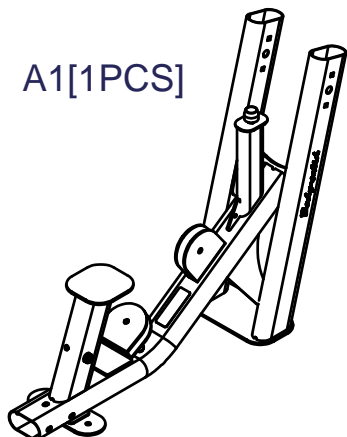
D1.Ø3/4"X16L STEEL BUSHING (8110-066)	[2PCS]
D2.Ø30XØ20X1.5T CU WASHER (8520-007)	[4PCS]
D3.Ø8 SPRING SNAP LINK(8810-001)	[1PCS]
D4.20X40 END CAP(9211-008)	[4PCS]
D5.50X75(30X60)NYLON BUSHING(9211-083)	[2PCS]
D6.58X116 END CAP(9211-112)	[4PCS]
D7.40X80 END CAP(9211-113)	[2PCS]
D8.Ø3/4" SHAFT COLLAR(9211-046)	[2PCS]
D9.Ø4" RUBBER DOUNT(9310-017)	[2PCS]
D10.95X250 RUBBER PAD(9310-060)	[4PCS]
D11.40X70 FRICTION TAPE(9440-068)	[2PCS]
D12.20X120 FRICTION TAPE(9440-083)	[2PCS]
D13.Ø117 PULLEY(9213-010B)	[7PCS]
D14.WEIGHT SELECTOR BAR(8210-042B)	[1PCS]
D15.TOP PLATE(8400-006)	[1PCS]
D16.2375mm STEEL CABLE(FDPRSA)	[1PCS]
D17.2615mm STEEL CABLE(FDPRSB)	[1PCS]
D18.DPRS For DGYM Steel Cable(FDPRSC)	[1PCS]
D19.95X250 RUBBER PAD(9310-061)	[1PCS]



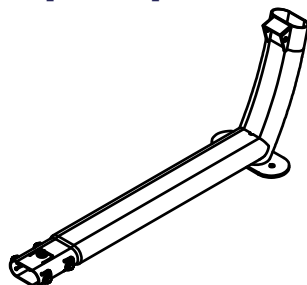
DPRS ASSEMBLY INSTRUCTIONS

PARTS ILLUSTRATION SHEET

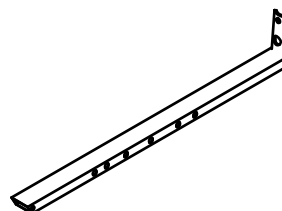
A1[1PCS]



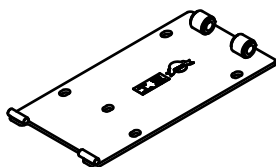
B[1PCS]



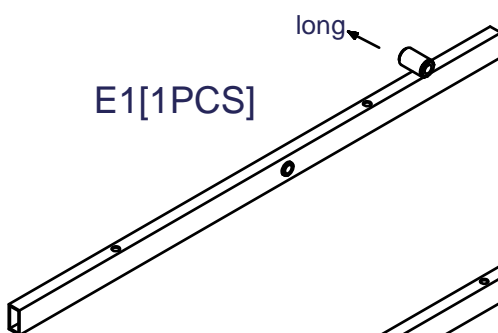
C[1PCS]



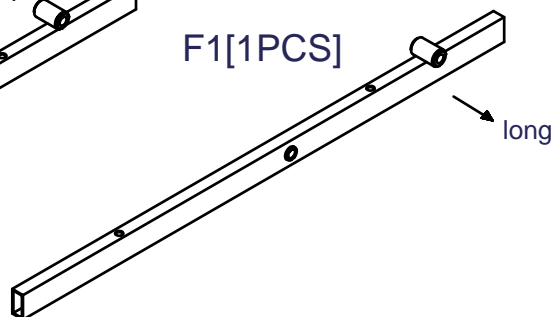
D1[1PCS]



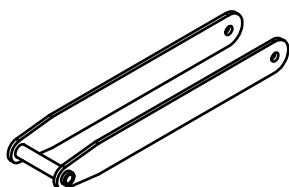
E1[1PCS]



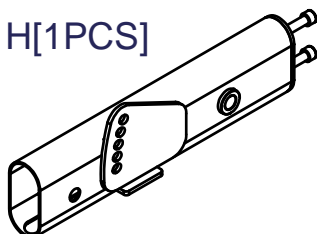
F1[1PCS]



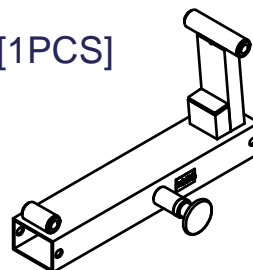
G[1PCS]



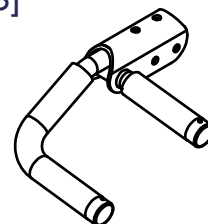
H[1PCS]



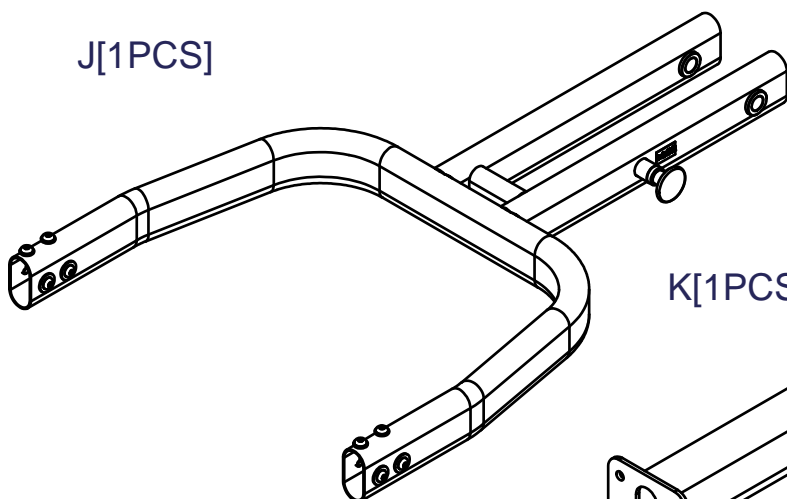
I[1PCS]



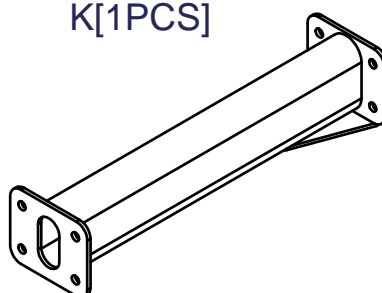
L[1PCS]



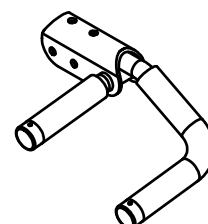
J[1PCS]



K[1PCS]



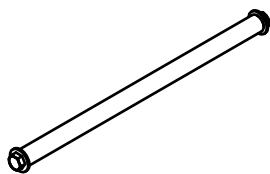
M[1PCS]



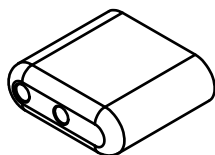
DPRS ASSEMBLY INSTRUCTIONS

PARTS ILLUSTRATION SHEET

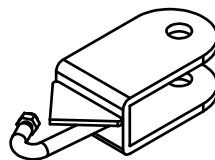
N[1PCS]
8220-136
Ø20X360L



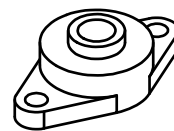
O[1PCS]
8230-009



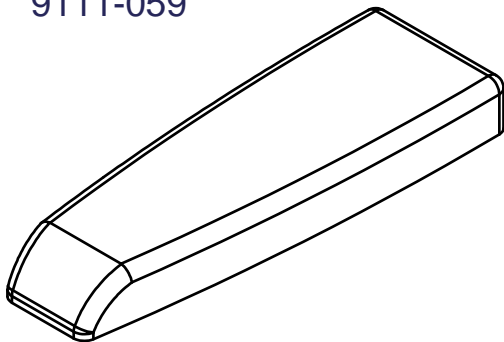
P[1PCS]
6640-001



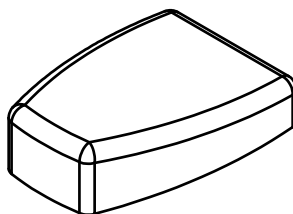
Q[2PCS]
8510-040



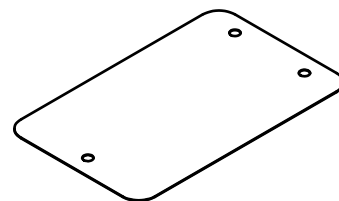
R[1PCS]
9111-059



S[1PCS]
9121-056



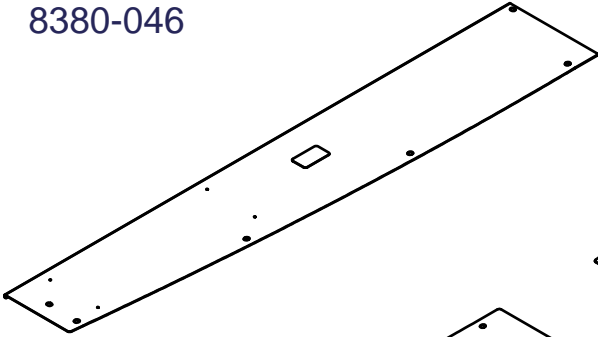
T[1PCS]
9170-002



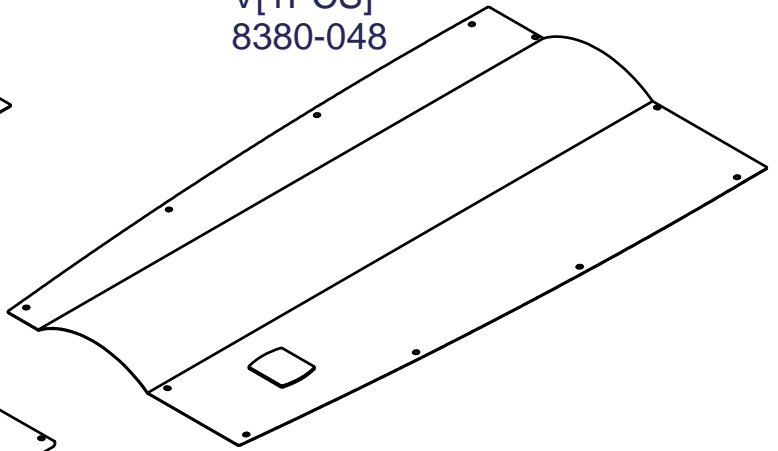
DPRS ASSEMBLY INSTRUCTIONS

FRAME PARTS ILLUSTRATION SHEET

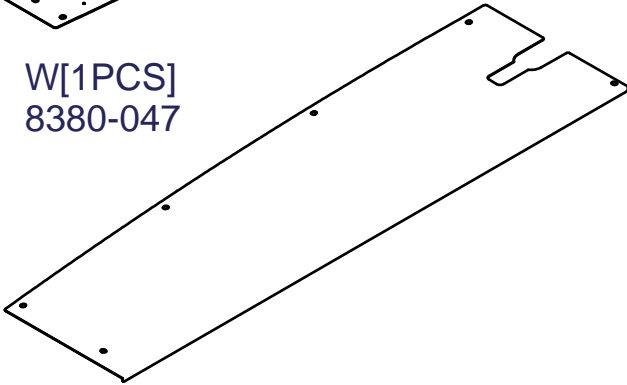
U[1PCS]
8380-046



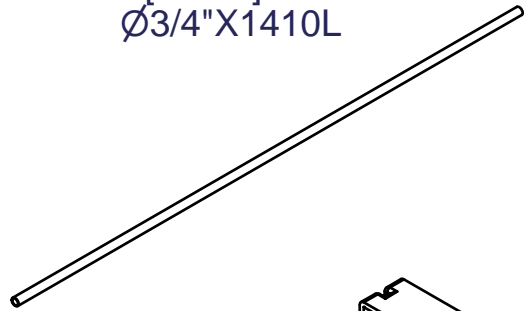
V[1PCS]
8380-048



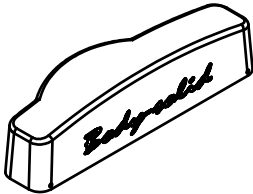
W[1PCS]
8380-047



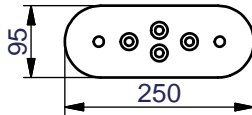
X[2PCS]
Ø3/4"X1410L



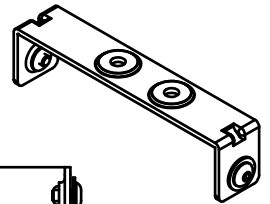
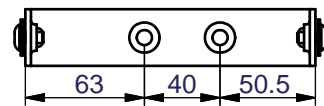
AG[1PCS]
9211-111A



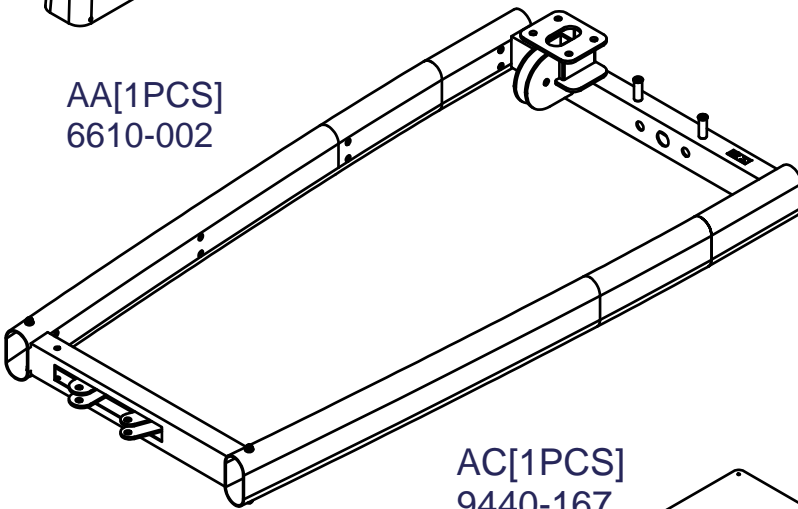
Z[2PCS]
8313-144



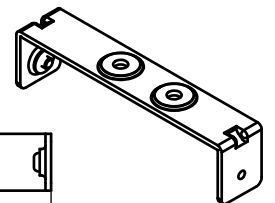
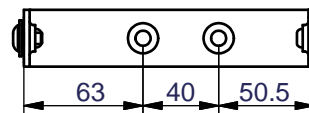
AD[9PCS]
8321-040
both side



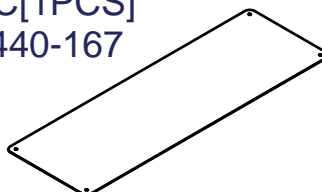
AA[1PCS]
6610-002



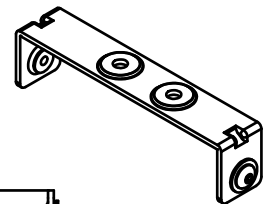
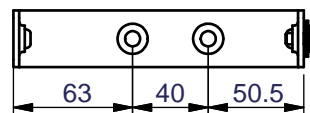
AE[1PCS]
8321-040
one side



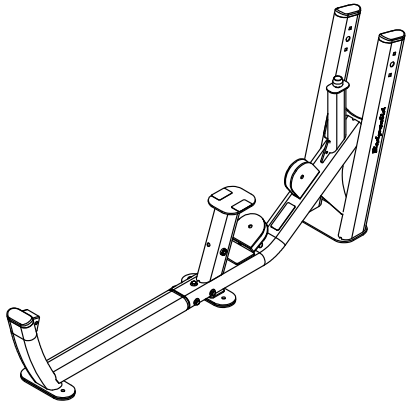
AC[1PCS]
9440-167



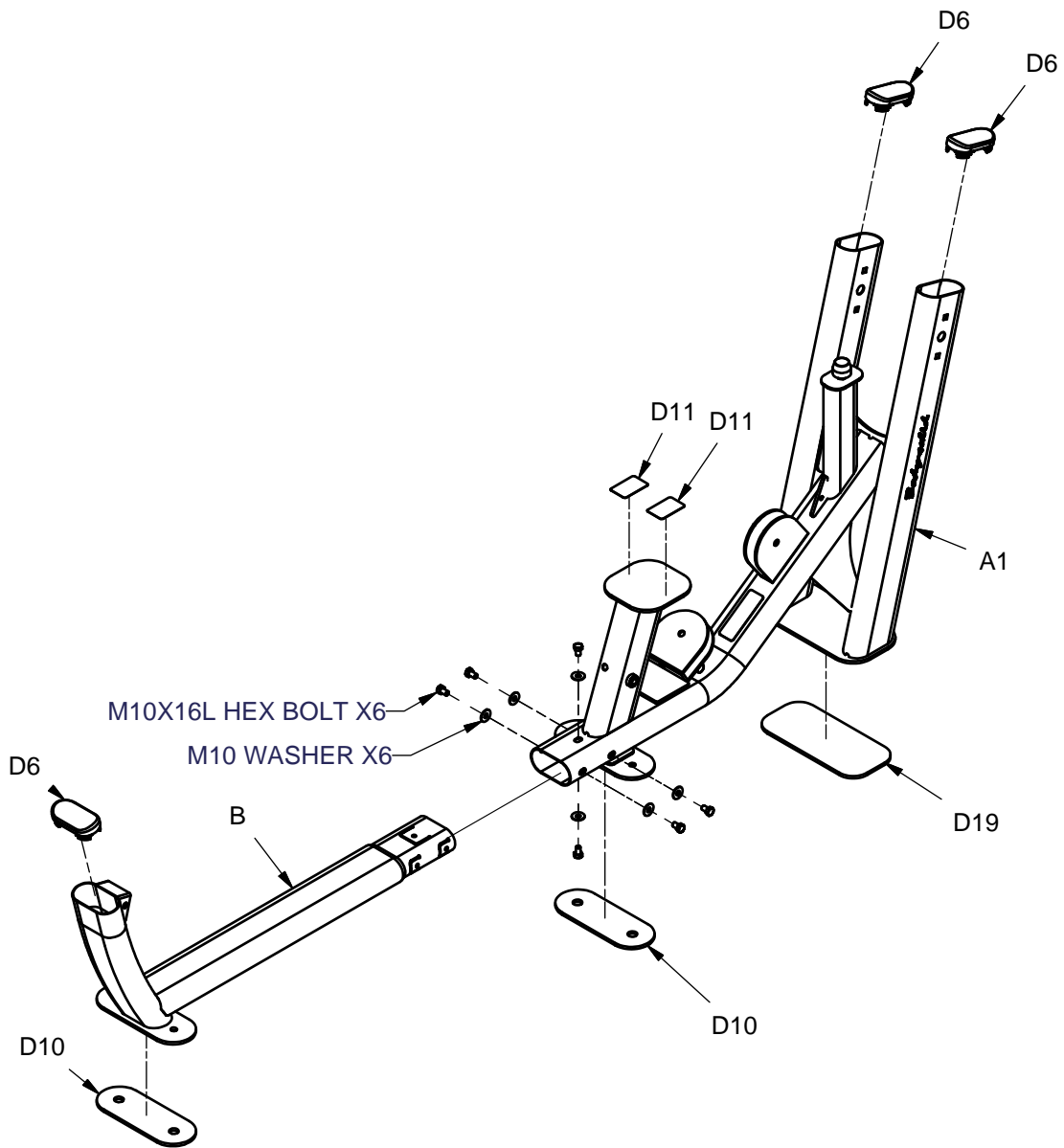
AF[2PCS]
8321-040
one side



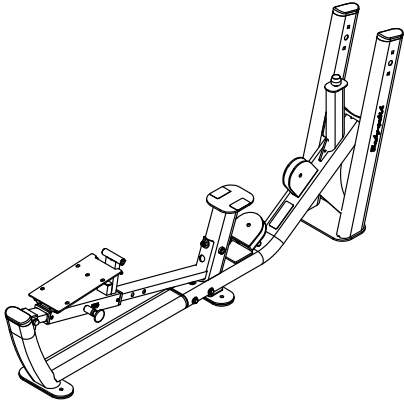
DPRS ASSEMBLY INSTRUCTIONS



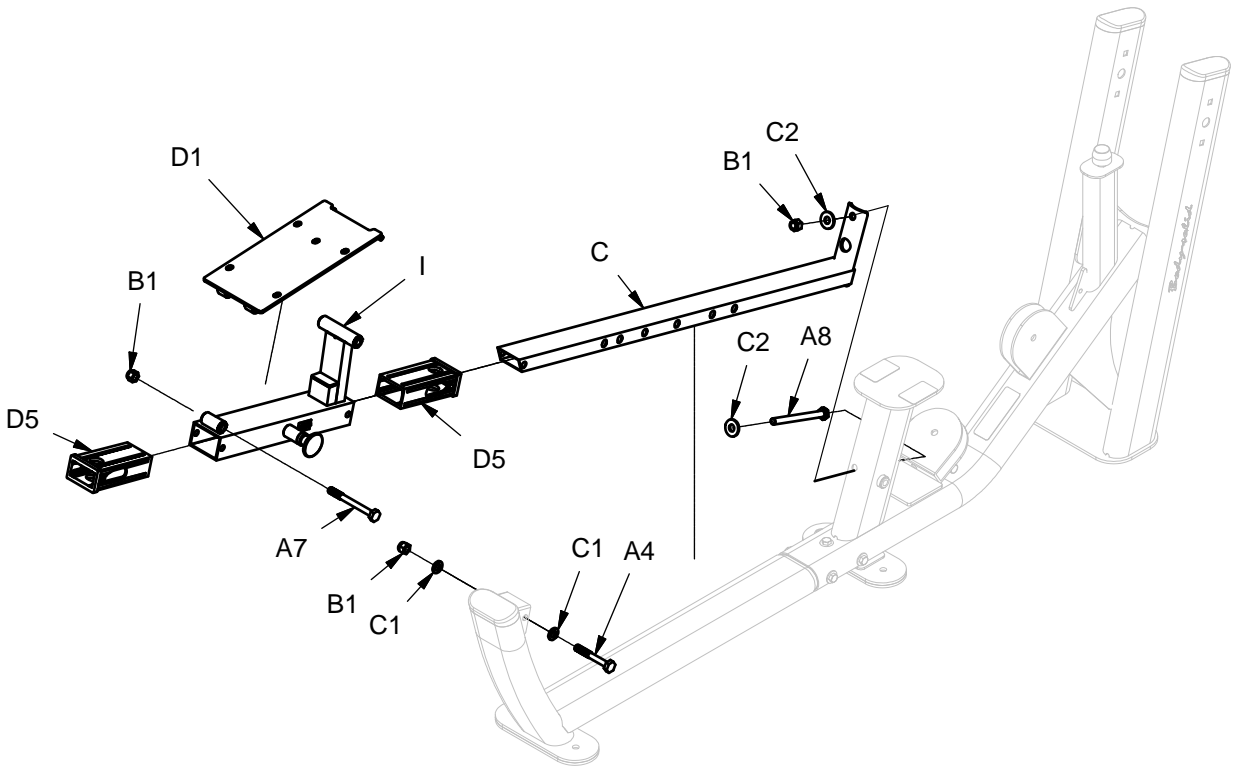
Above shows STEP 1
assembled and completed



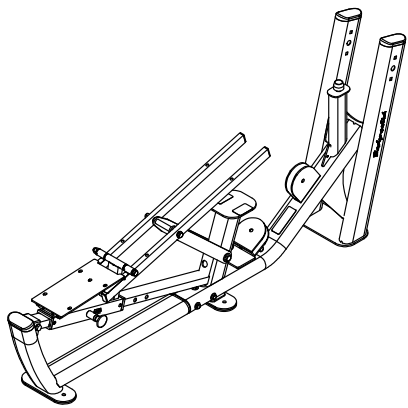
DPRS ASSEMBLY INSTRUCTIONS



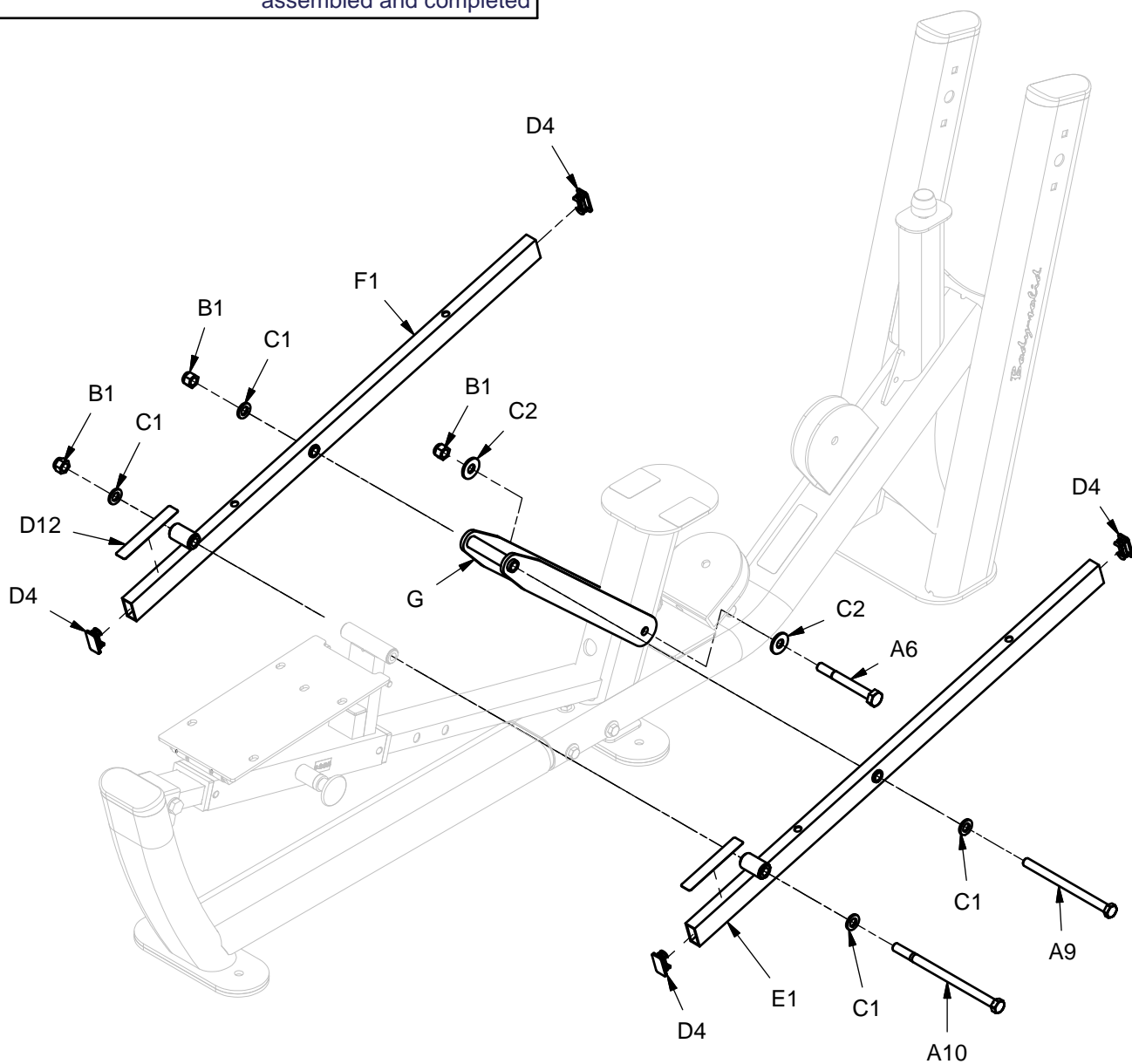
Above shows STEP 2
assembled and completed



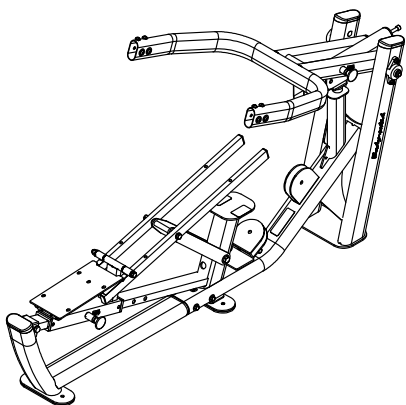
DPRS ASSEMBLY INSTRUCTIONS



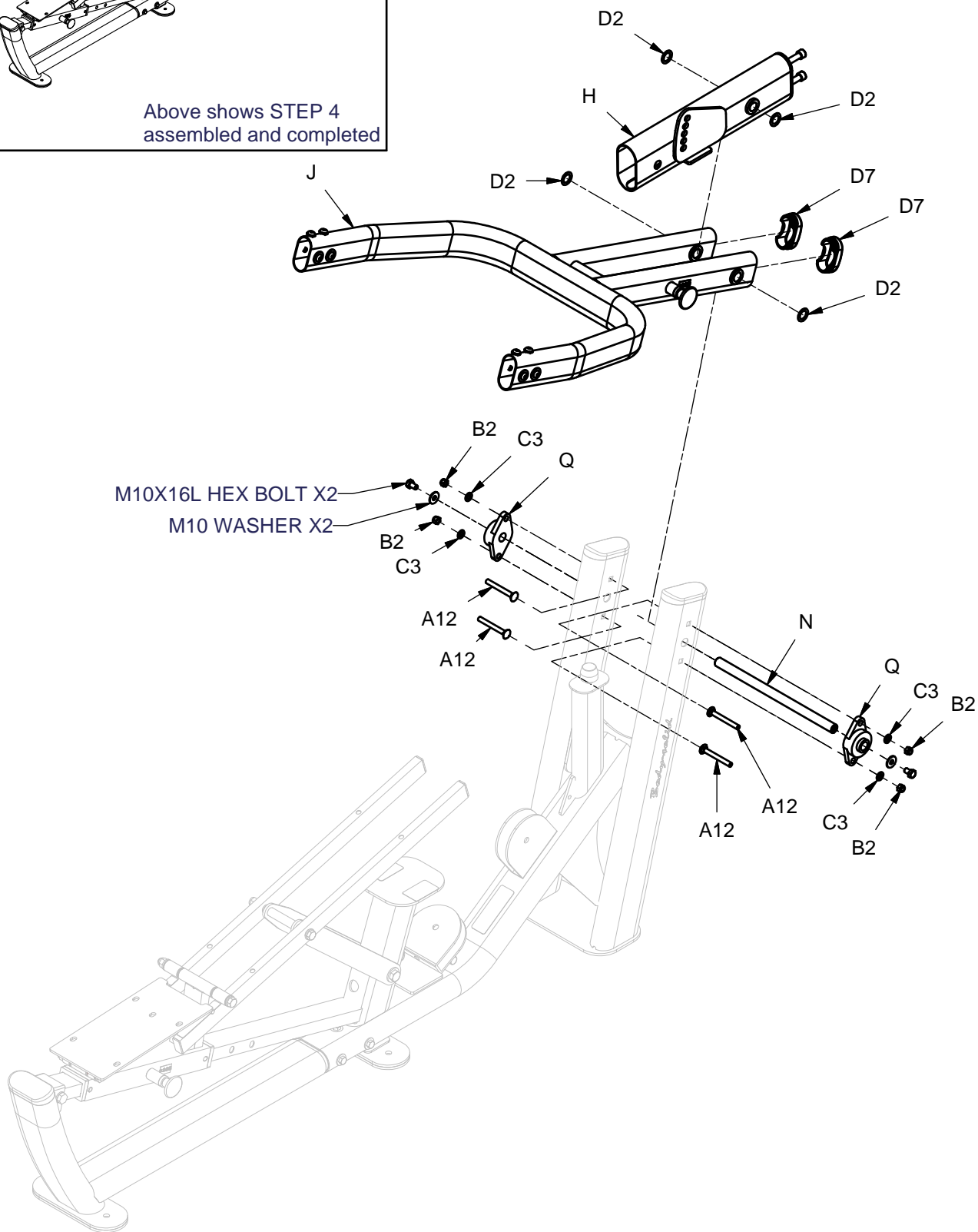
Above shows STEP 3
assembled and completed



DPRS ASSEMBLY INSTRUCTIONS

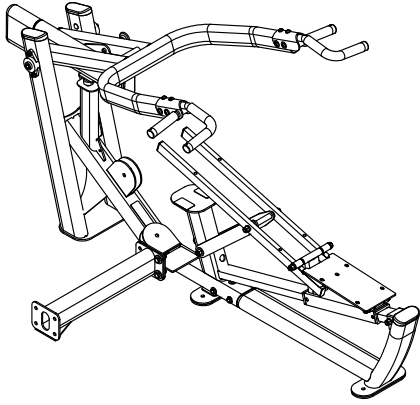


Above shows STEP 4 assembled and completed



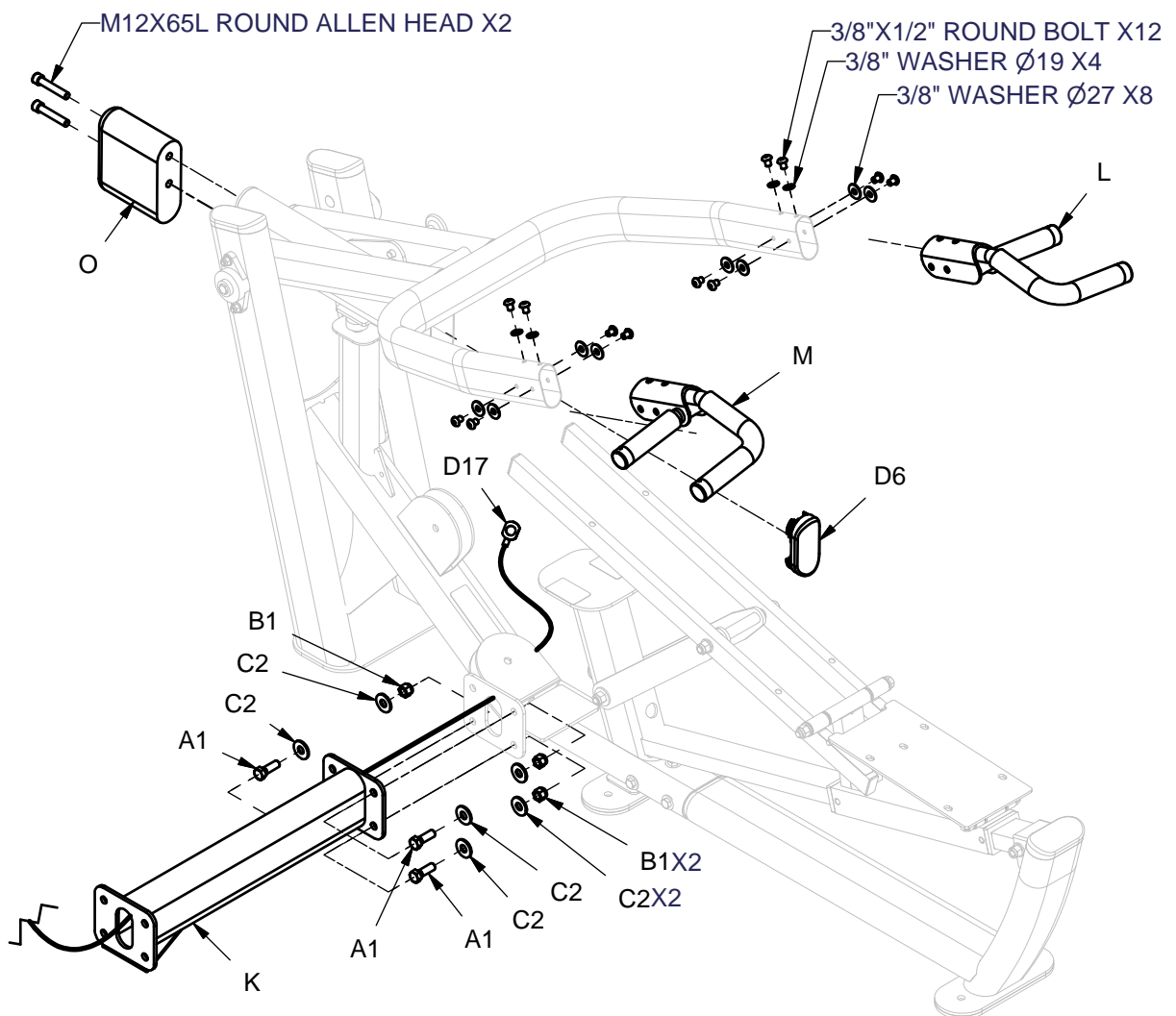
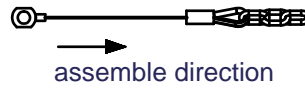
M10X16L HEX BOLT X2
M10 WASHER X2

DPRS ASSEMBLY INSTRUCTIONS

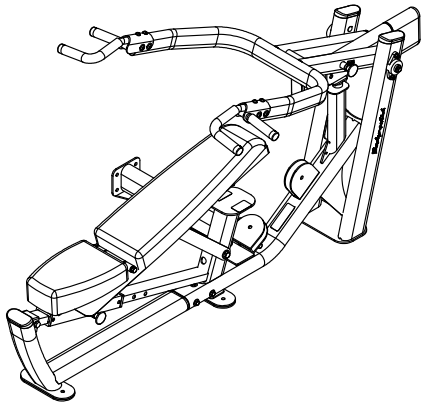


Above shows STEP 5 assembled and completed

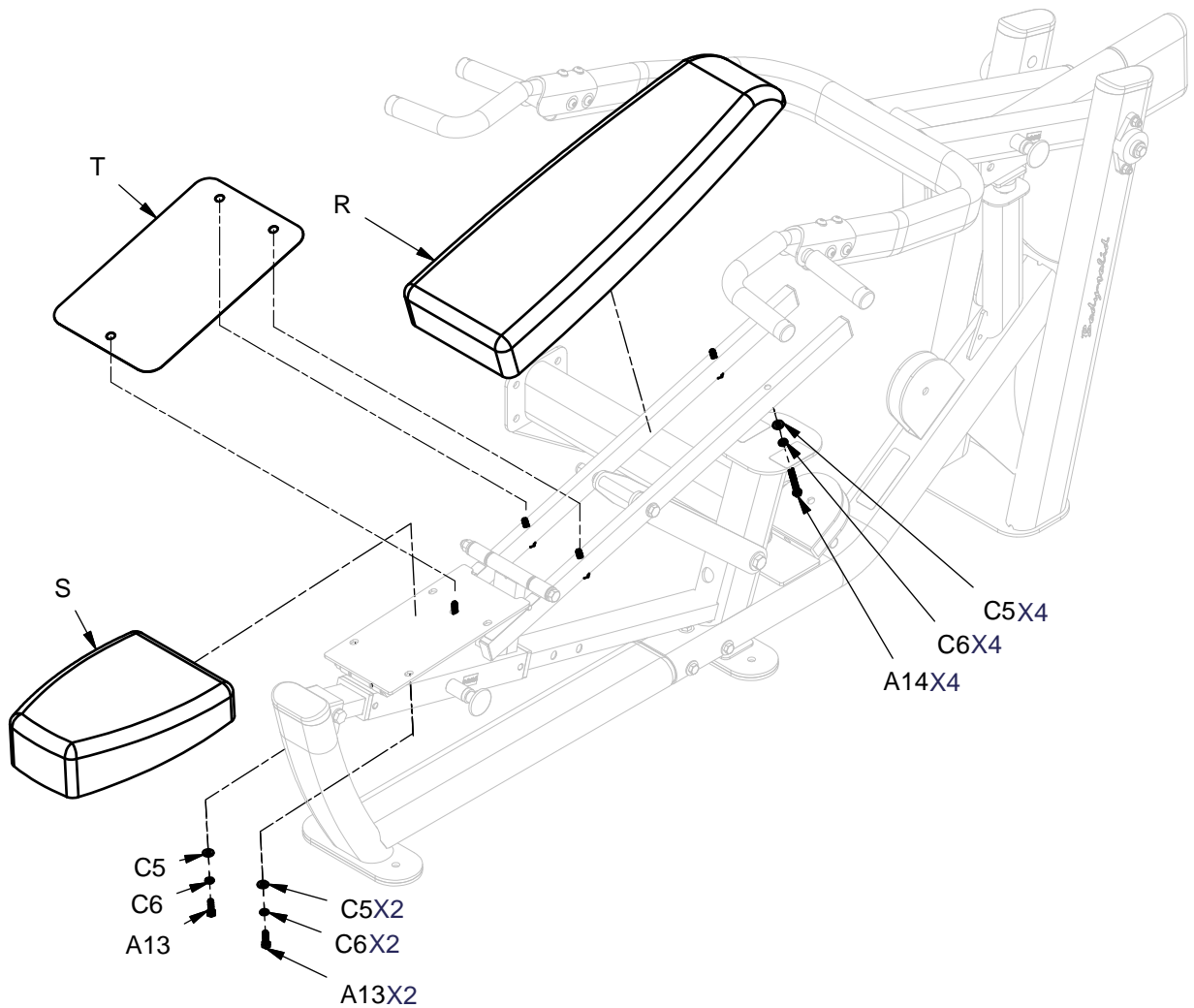
D17



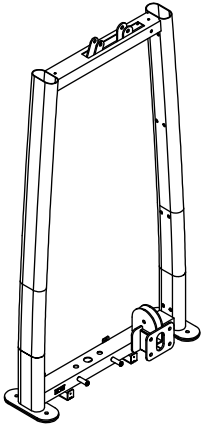
DPRS ASSEMBLY INSTRUCTIONS



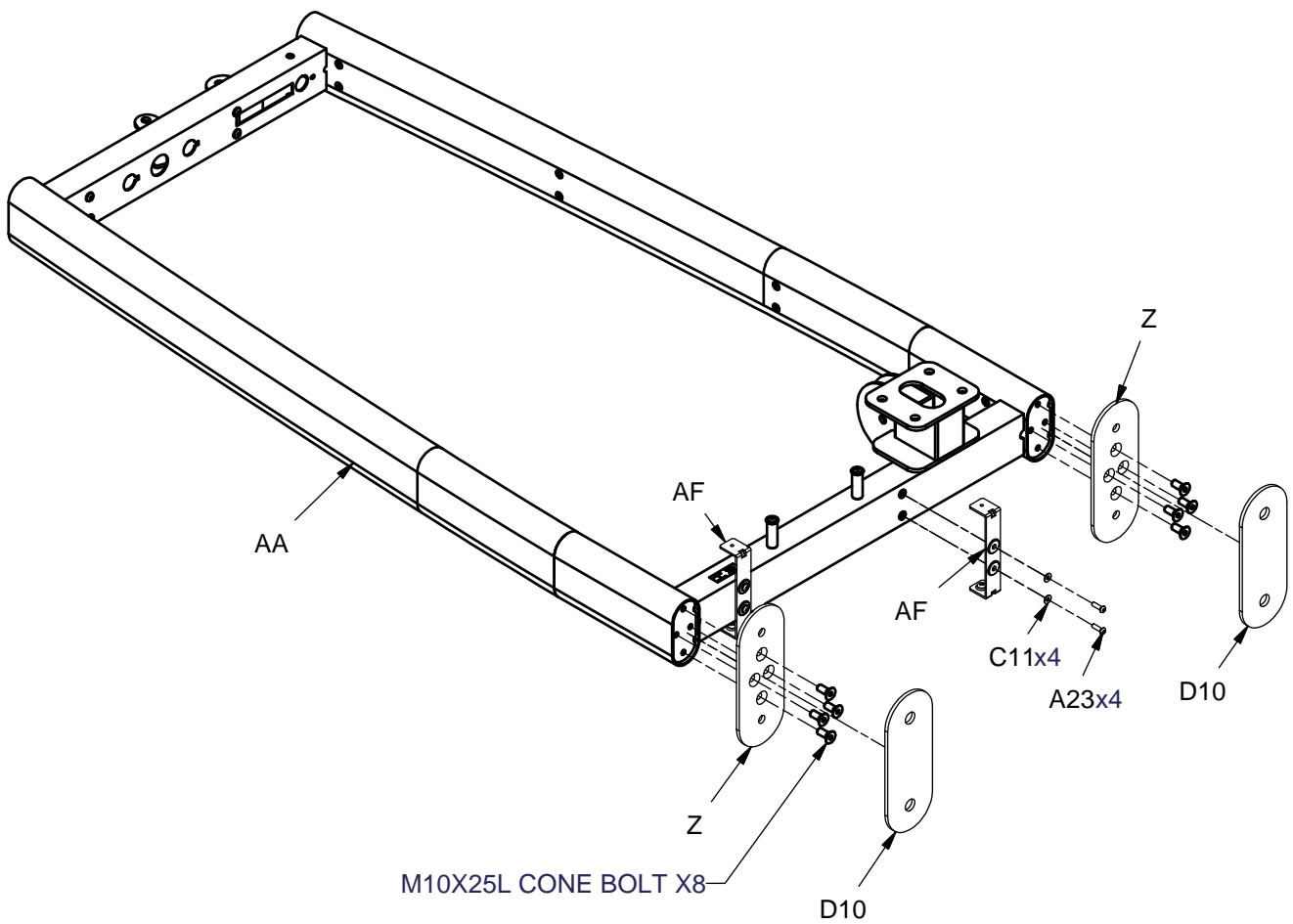
Above shows STEP 6
assembled and completed



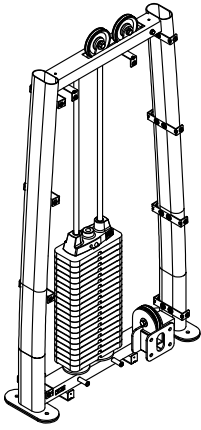
DPRS ASSEMBLY INSTRUCTIONS



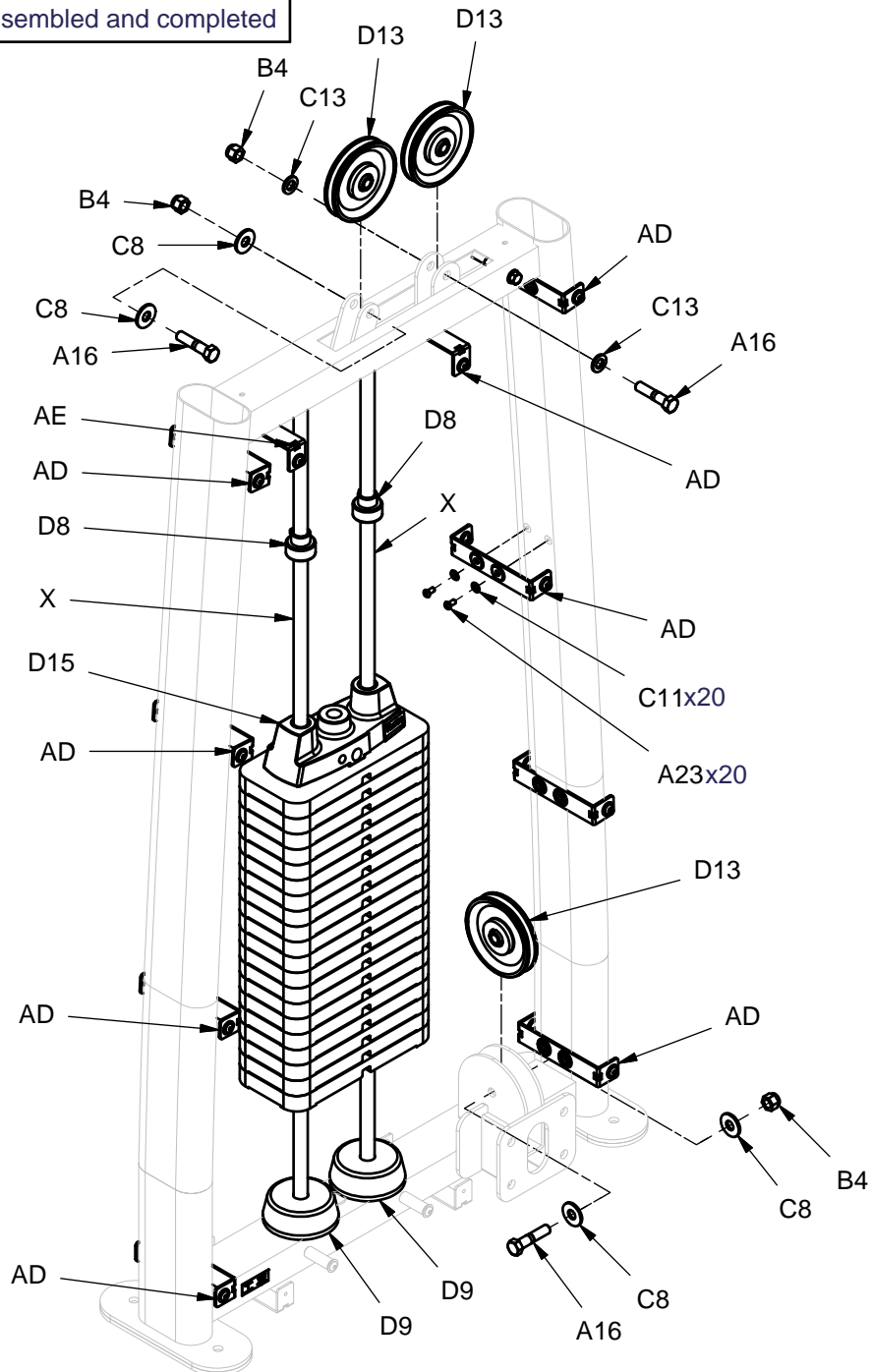
Above shows STEP 7
assembled and completed



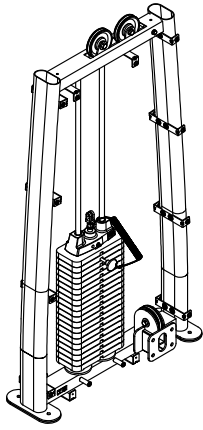
DPRS ASSEMBLY INSTRUCTIONS



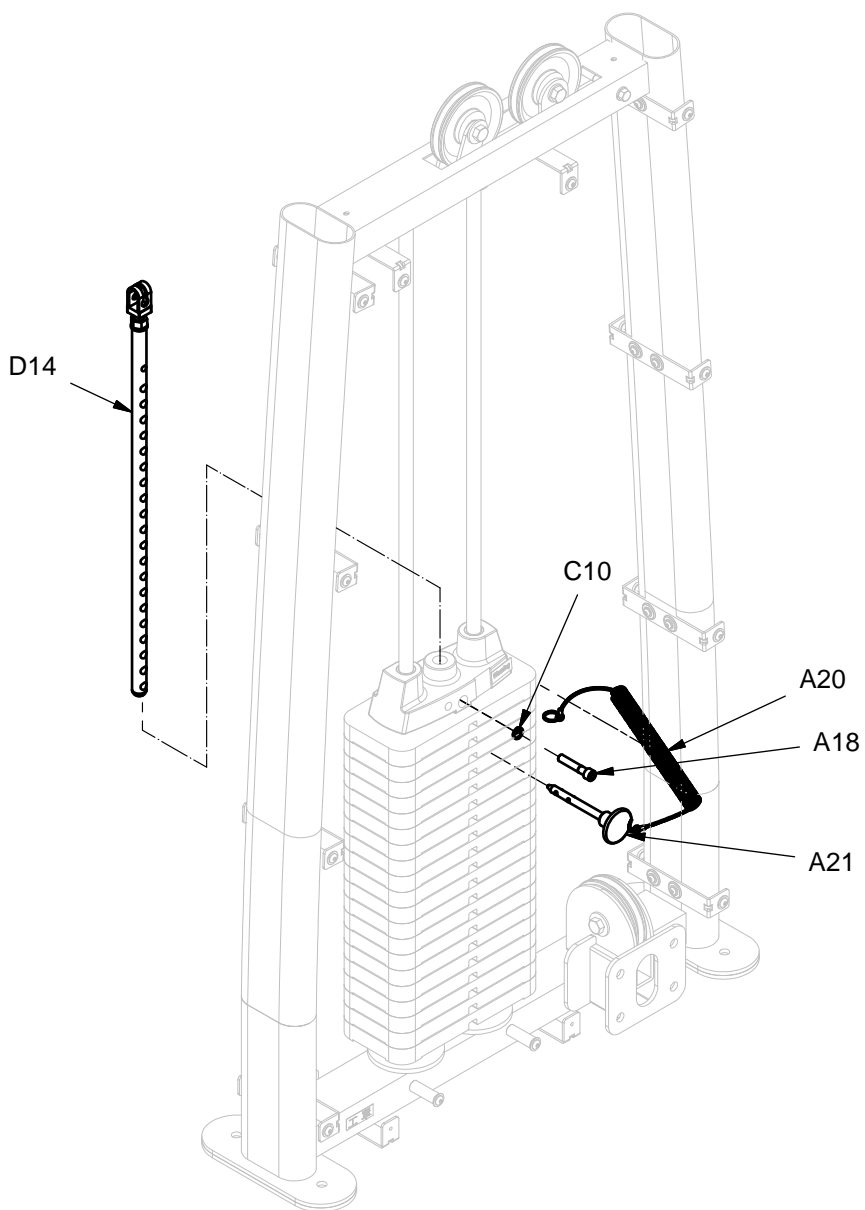
Above shows STEP 8 assembled and completed



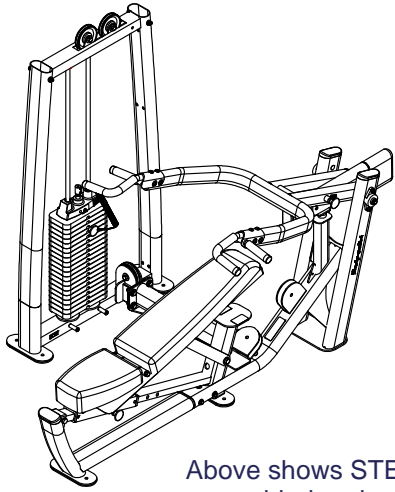
DPRS ASSEMBLY INSTRUCTIONS



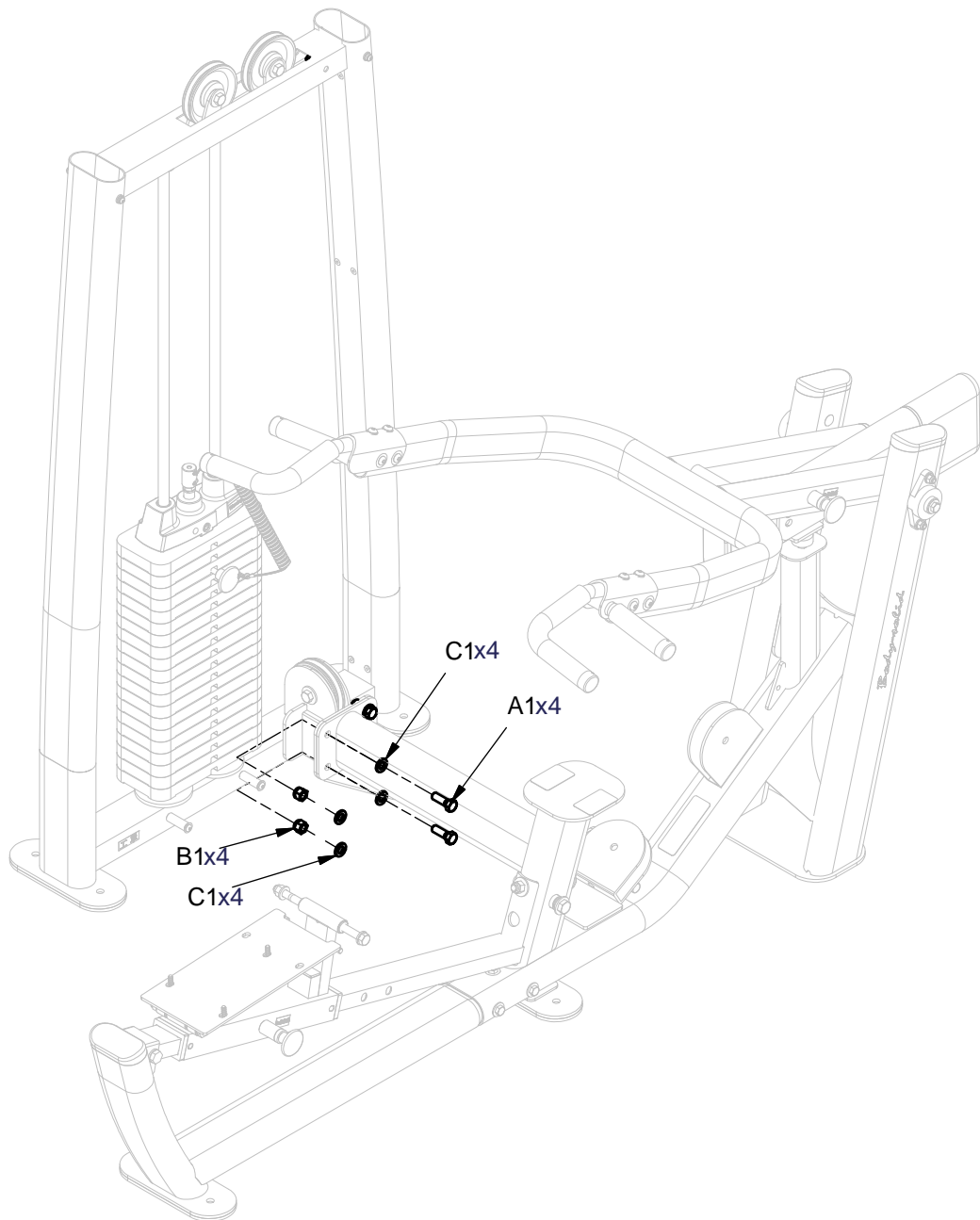
Above shows STEP 9
assembled and completed



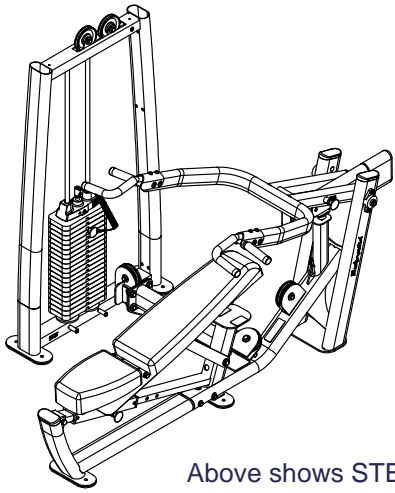
DPRS ASSEMBLY INSTRUCTIONS



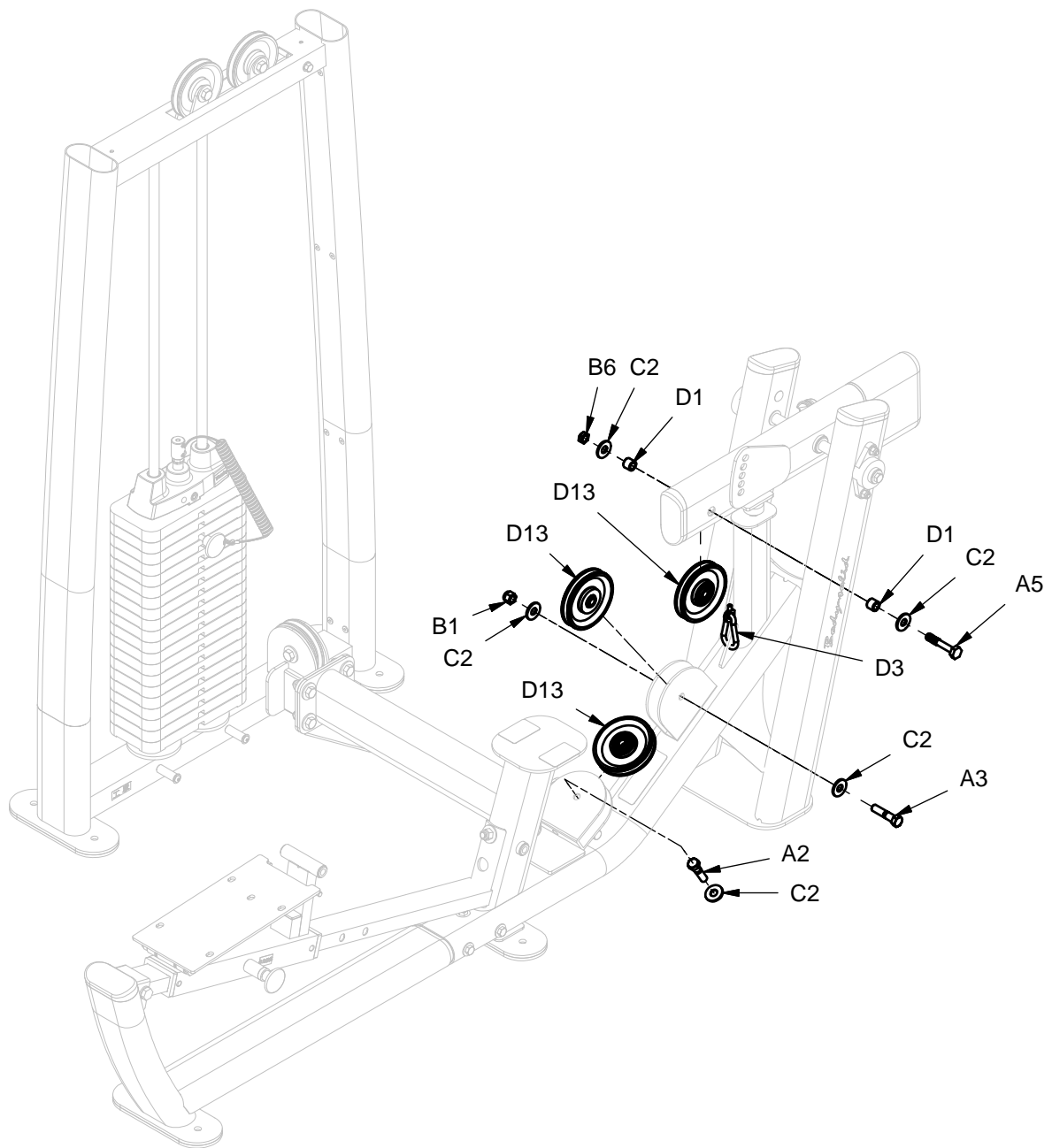
Above shows STEP 10
assembled and completed



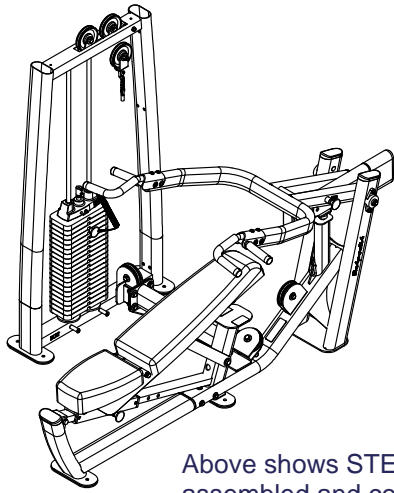
DPRS ASSEMBLY INSTRUCTIONS



Above shows STEP 11 assembled and completed

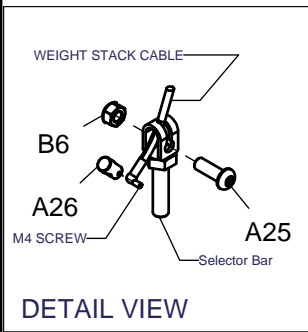
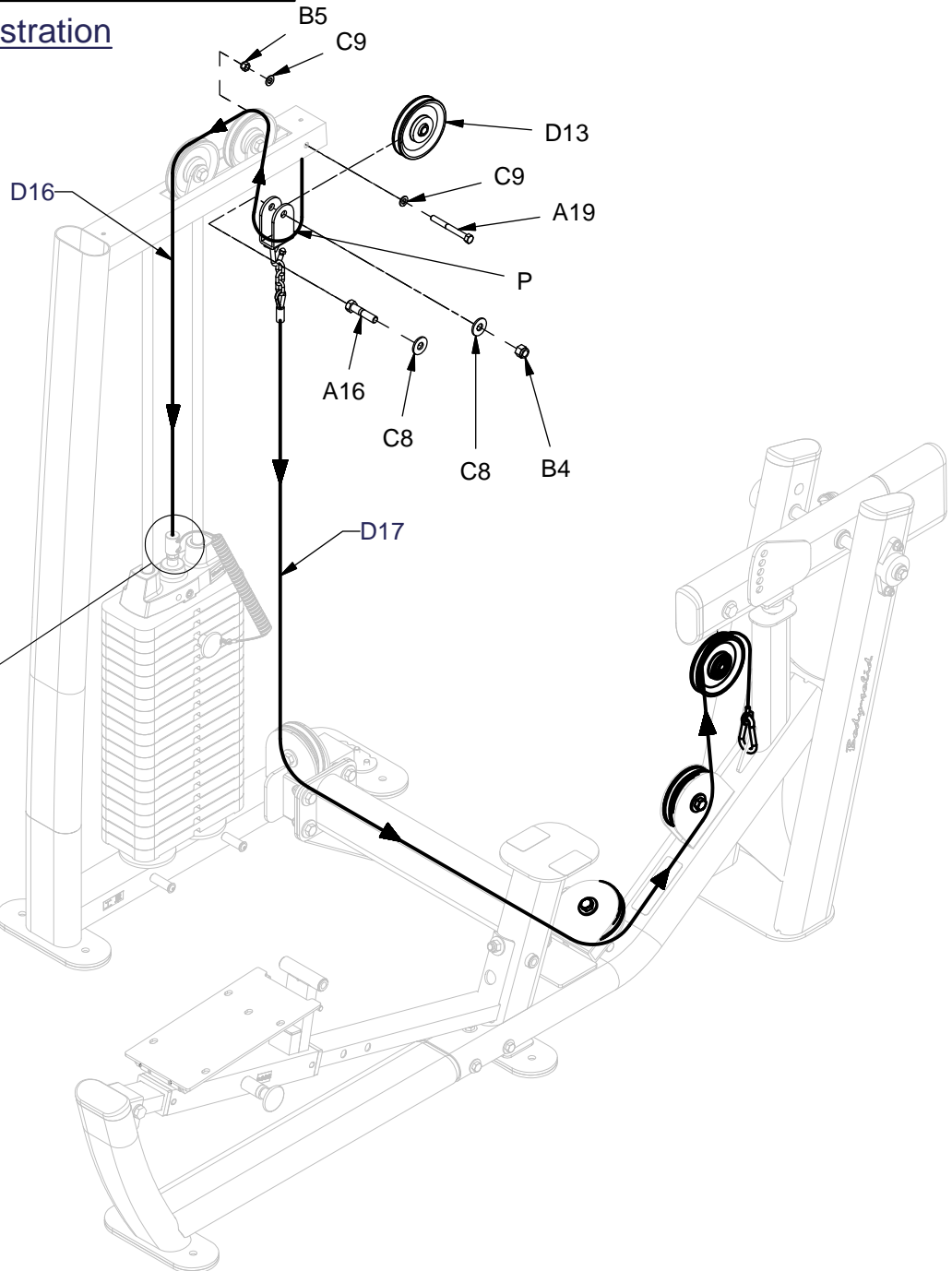


DPRS ASSEMBLY INSTRUCTIONS

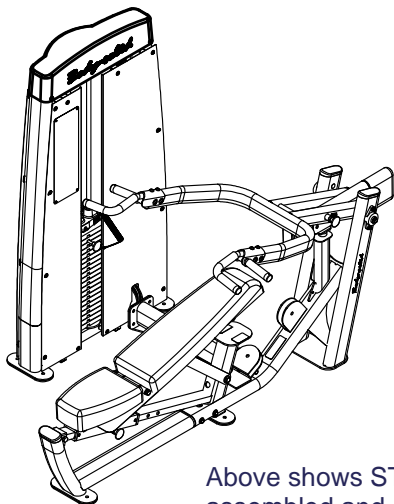


Above shows STEP 12 assembled and completed

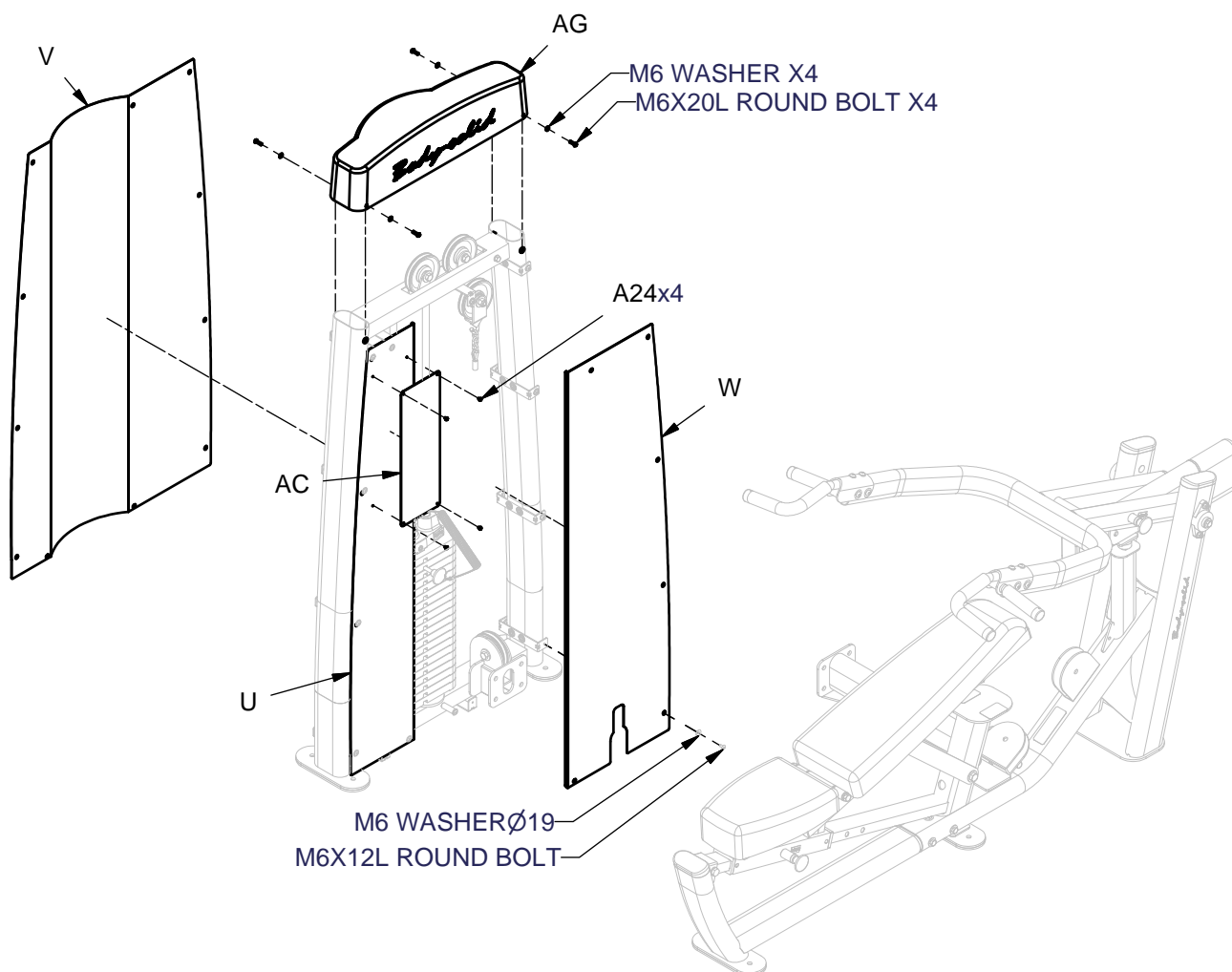
Cable to match illustration



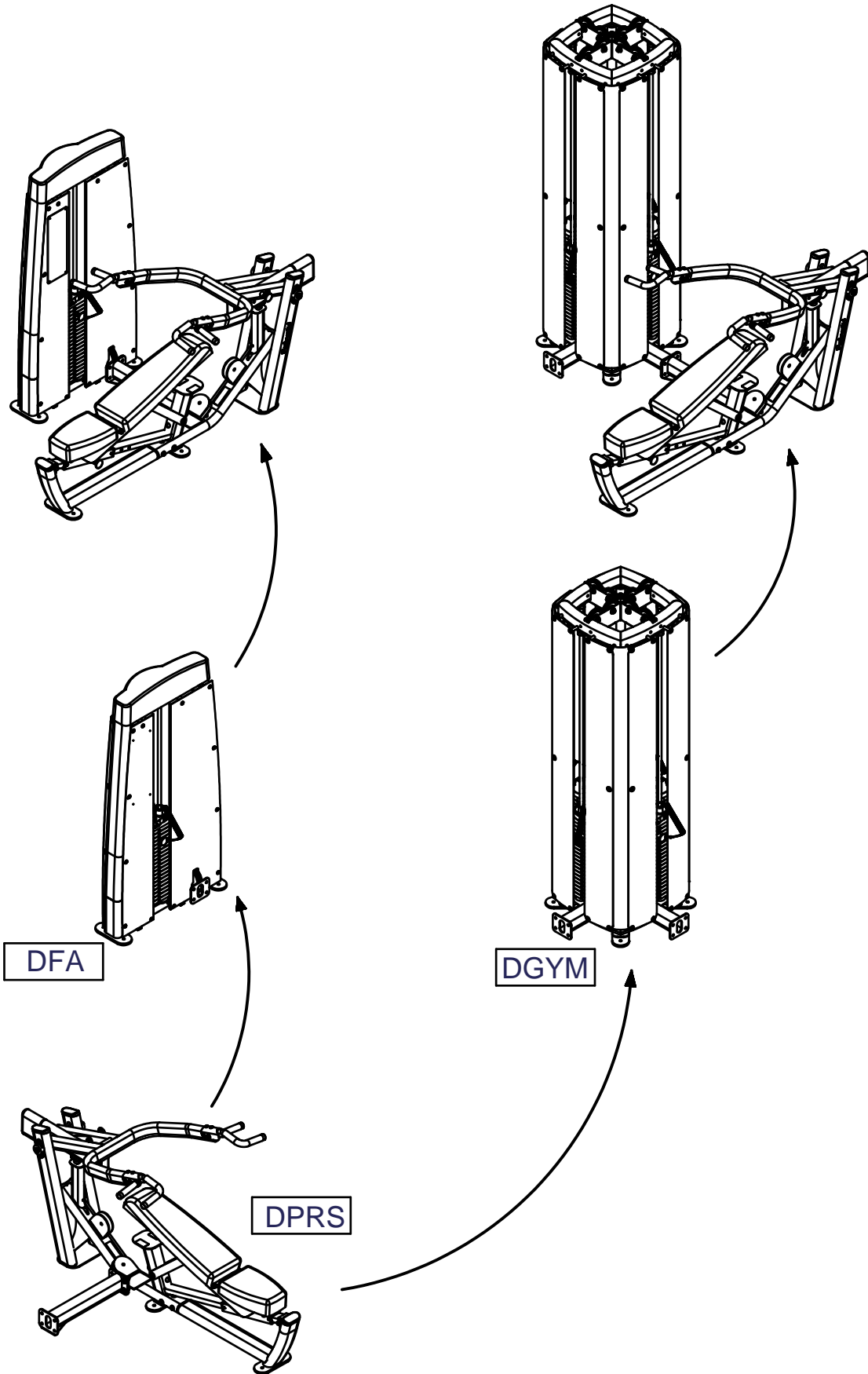
DPRS ASSEMBLY INSTRUCTIONS



Above shows STEP 12
assembled and completed



DPRS ASSEMBLY INSTRUCTIONS



DPRS ASSEMBLY INSTRUCTIONS

Cable to match illustration

